



Soffito SLP & SFO | Installation Kits

New Build and Retro-Fit Applications



SOFFITO

Manufactured in a chemical and impact-resistant polymer, Soffito is the specifiers choice for cleanroom applications. Combined with an approved installation kit, Soffito is guaranteed to create an air-tight IP66 seal to virtually any flat surface, whether recessed or surface mounted.

Ideally suited for PIR ceilings, Soffito's unique, patented design creates an uninterrupted easy-clean, hygienic flush panel with electronics that are easily maintained from above without breaking the seal on the room below. Minimising the risk of contamination or business interruption in critical cleanroom environments, when unscheduled maintenance is required.

Custom assemblies and fully replaceable parts, developed over ten years of continuous production, make it the ideal solution for laboratories and hospitals, food processing, aquaculture, brewing and pharmaceutical facilities. The option to specify, dual lenses minimises thermal losses in temperature controlled environments with dual circuit restricted or switched wavelengths that are ideal for photosensitive applications*.



Main benefits of Soffito range:

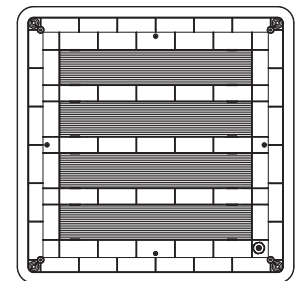
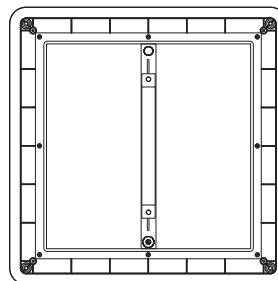
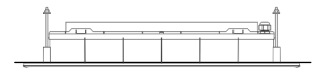
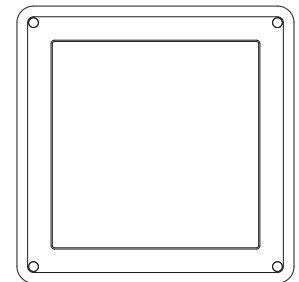
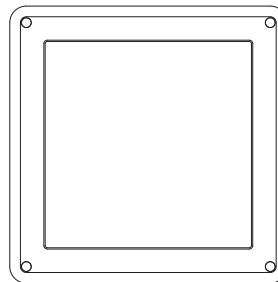
- Soffito SFO 120W | 150W | 180W
- Soffito SLP 40W | 60W | 75W | 100W
- Isollux Dual Die LED
- L90/100k Hrs | L70 ≥ 200k Hrs (@ Ta 25°C)
- 132 – 145 lm/W subject to model and specification.
- Lumen Output: 5,600lm (40W) – 23,760lm (180W)
- Ra85 | Ra95
- CCT : 2700K / 4000K / 5000K / 6000K / AMB* / AMX*
- Drivers: SELV and flicker free, non-dimming, 1-10V, DALI 2, DALI D4i.
- Driver Protection Options: IP20 | IP65 | IP67 | OV | OT | OC.
- PCB/PC polymer blend for IK10 impact and chemical resistance.
- Serviceable frosted PC lens (Panel appearance)
- Ambient applications -40°C to +50°C, (subject to model and driver specification)
- Optional Dual lens (reduces thermal transfer in coldstores and temperature controlled environments)
- Broad range of installation kits support fast efficient installation.
- Fully Serviceable without breaking seal on room below.
- Suitable for wet, dry and dusty conditions.

Dimensions and cutout:

SFO: W 660mm x 660mm x H110mm
 SLP: W 660mm x 660mm x H100mm

SLP

SFO



Install kits for Soffito SLP

Simple Flush Mount	Thin Substrate	SLP-TS-10-75	4
Surface Mount Box	Sealed Straight Corners	SLP-MB-XX	5
Surface Mount Box	Sealed Radius Corners	SLP-CB-XX	6
Recessed Mount Box	Secondary Enclosure	SLP-RB-XX	7
Recessed Walk Around Mount Box	Substrate 50-75mm	SLP-WA-XX-50-75	8
Recessed Walk Around Mount Box	Substrate 100-120mm	SLP-WA-XX-100-120	9
Recessed Walk On Mount Box	Substrate 100-150mm	SLP-WA-XX-100-150	10

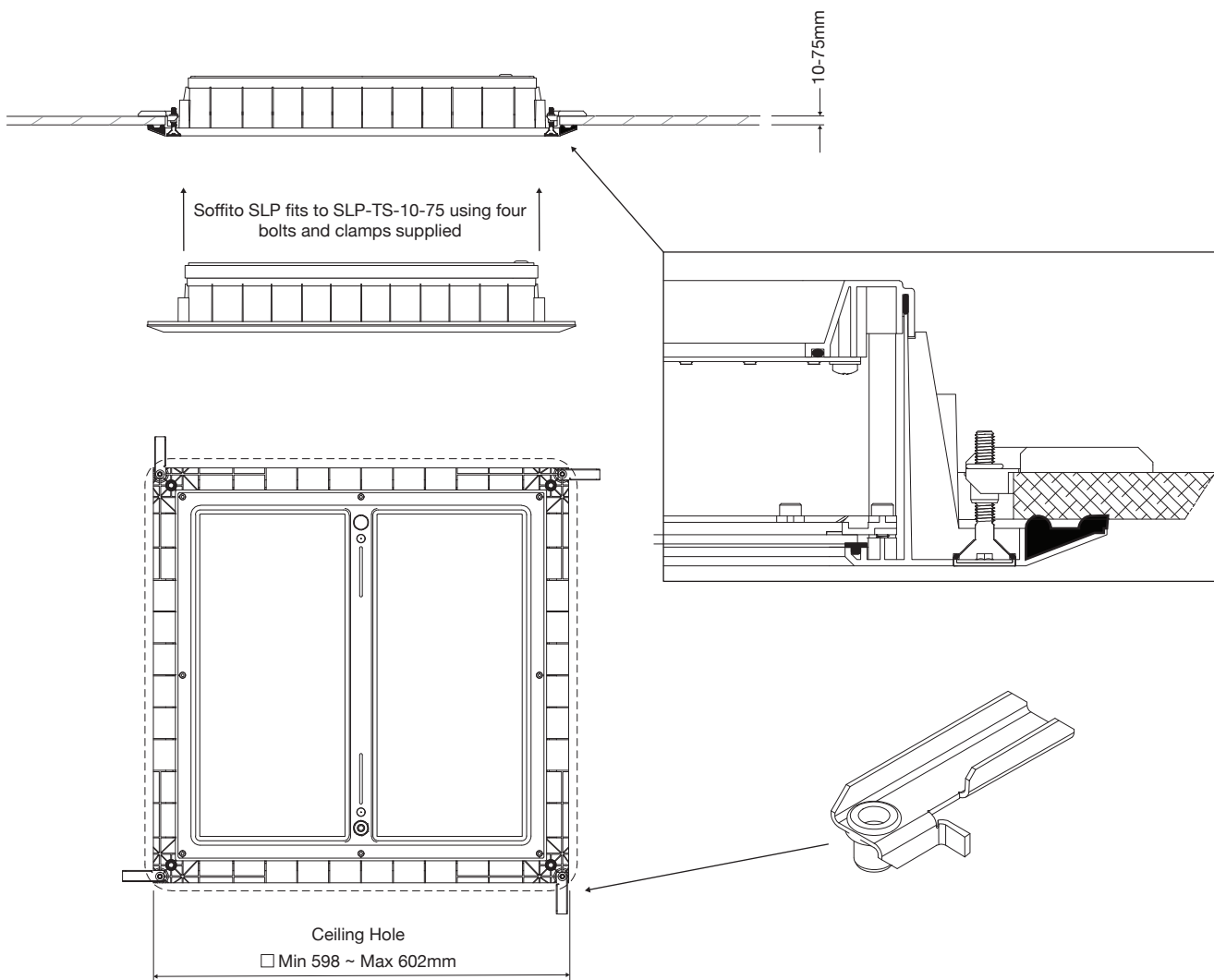
Install kits for Soffito SFO

Simple Flush Mount	Thin Substrate	SFO-TS-10-75	11
Surface Mount Box	Sealed Straight Corners	SFO-MB-XX	12
New Build Vented Mount Box	Substrate 50-200mm	SFO-VB-XX-NF	13
New Build Recessed Flashing Kit	Substrate 50-75mm	SFO-FK-XX-NF-50-75	14
	Substrate 100-150mm	SFO-FK-XX-NF-100-150	15
	Substrate 150-200mm	SFO-FK-XX-NF-150-200	16
Retro-Fit Vented Mount Box	Substrate 50-200mm	SFO-VB-XX-WF	17
Retro-Fit Recessed Flashing Kit	Substrate 50-75mm	SFO-FK-XX-WF-50-75	18
	Substrate 100-150mm	SFO-FK-XX-WF-100-150	19
	Substrate 150-200mm	SFO-FK-XX-WF-150-200	20

The simplest low-cost installation method for Soffito SLP is ideal for applications where fire-flashing is not required. Installs from below to any load-bearing substrate between 10-75mm. Four lever bars rotate out when tightened and clamp directly to the substrate.

Soffito SLP Recessed Mount

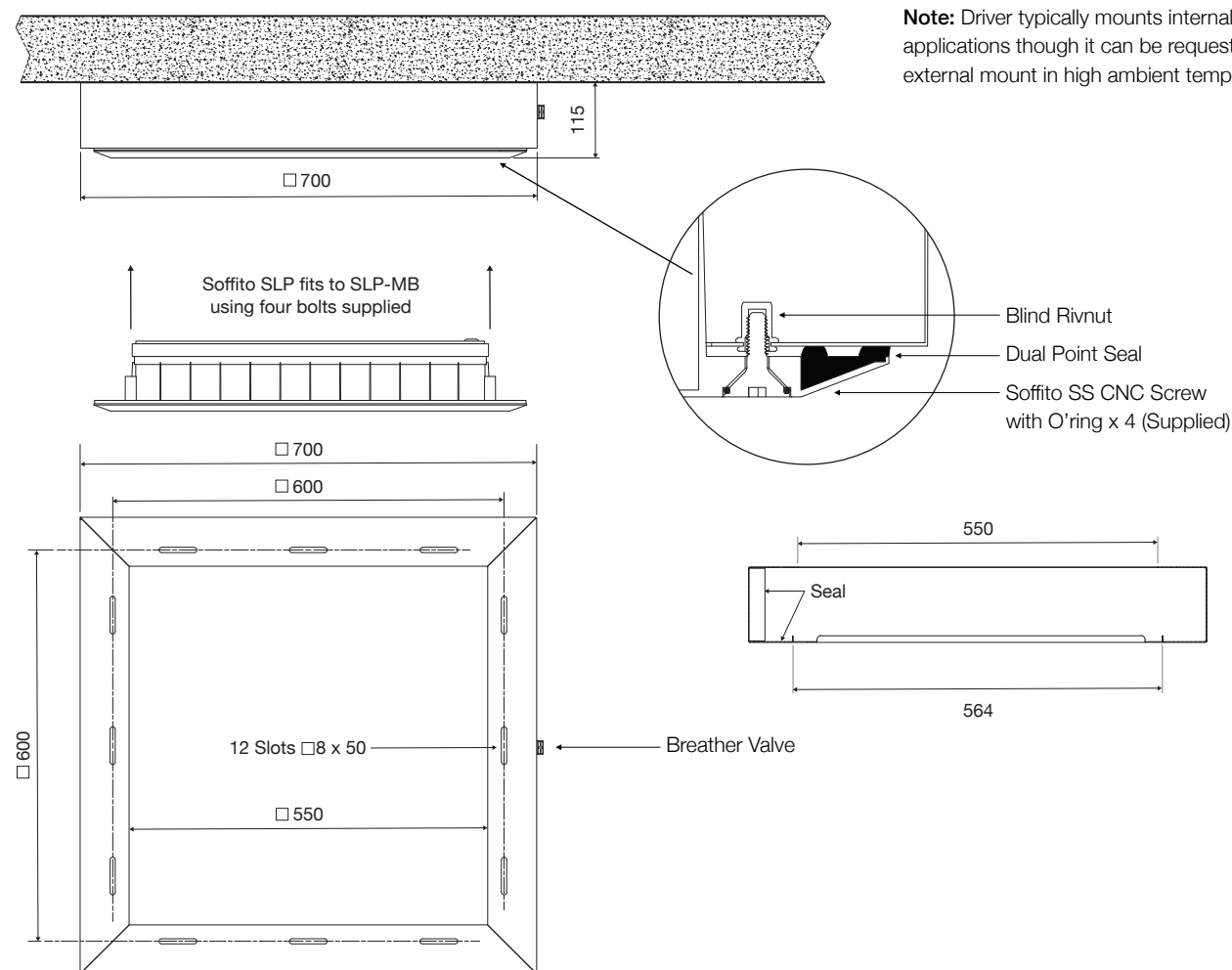
Maximum Power Luminaire	100W @ Ta 40°C
Product Code: SLP-TS-10-75	304 Stainless
Typical Ambient Application	-30°C ~ +25°C
Max Ambient Subject to Luminaire Power/Driver Position	+50°C
Driver Mount	External
IP Rating on Installation	IP65
IK Rating	IK10
Substrates	Any thin substrate suitable to take the load
Fixing to substrate	All parts provided
Soffito to TS-10-75	Bottom mount with SS CNC Screws with O'ring x 4 (supplied)



A square-edged, sealed mount box for Soffito SLP. Manufactured with fully welded seams. in two standard finishes, 304SS or epoxy white over 304SS. It is fixed and sealed to the substrate, with Soffito mounted and maintained from below.

Soffito SLP Surface Mount Enclosure

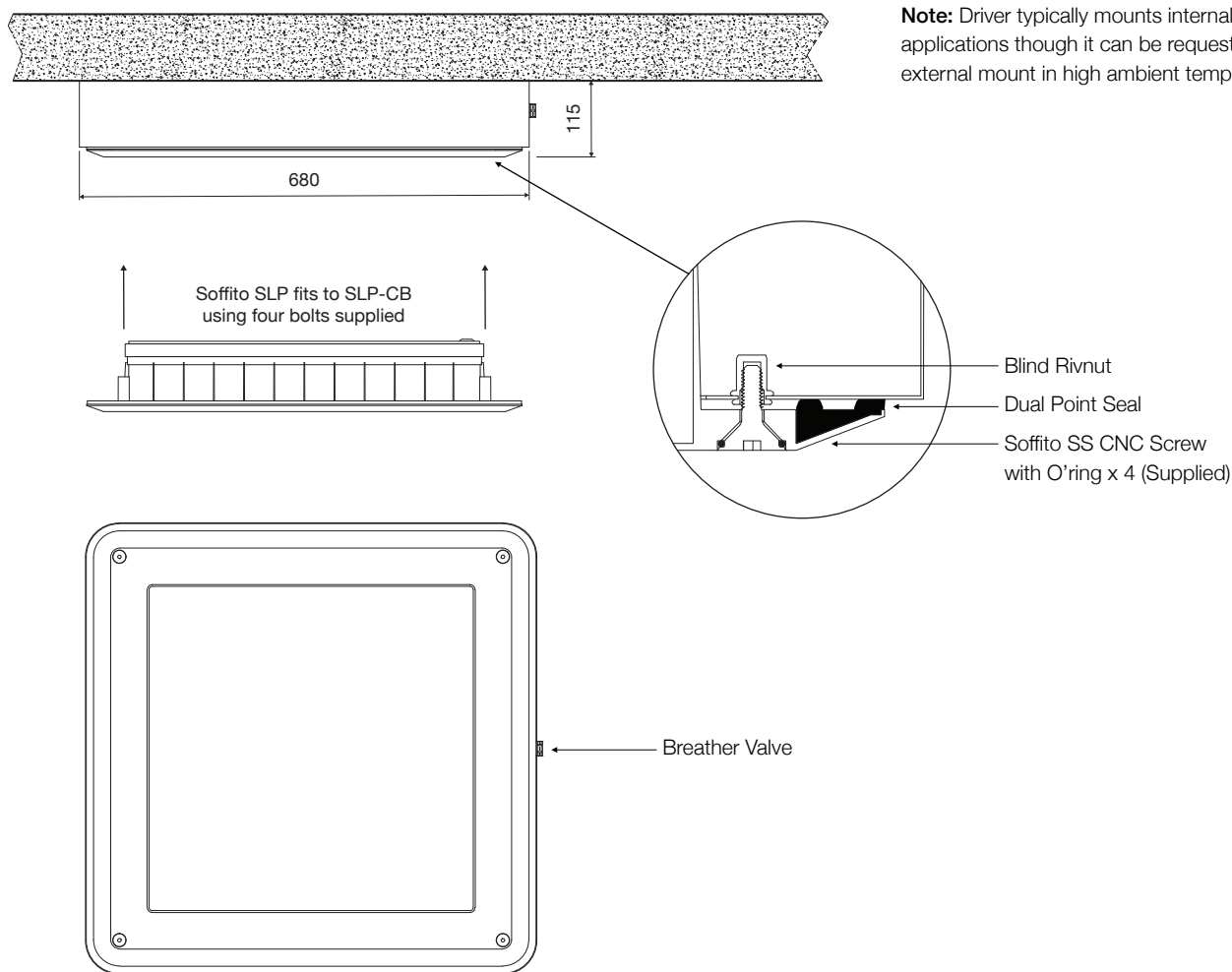
Maximum Power Luminaire	100W @ Ta 30°C
Product Code: SLP-MB-PW	Epoxy White Paint over 304 SS
Product Code: SLP-MB-SS	304 Stainless
Typical Ambient Application	-30°C ~ +25°C
Max Ambient Subject to Luminaire Power/Driver Position	+50°C
Driver Mount	Internal
IP Rating on Installation	IP65
IK Rating	IK10
Substrates	Insulated Panel PIR / Plaster and Frame / Concrete
Fixing to substrate	Installer provides subject to substrate
Soffito to MB-XX	Bottom mount with SS CNC Screws with O'ring x 4 (supplied)



A decorative rolled-edged sealed mount box for Soffito SLP, with fully welded seams. Manufactured in two standard finishes, 316SS or epoxy white over 304SS. Fixed and sealed to the substrate during the installation with Soffito mounted and maintained from below.

Soffito SLP Surface Mount Enclosure

Maximum Power Luminaire	100W @ Ta 30°C
Product Code: SLP-CB-PW	Epoxy White Paint over 304 SS
Product Code: SLP-CB-SS	316 Stainless
Typical Ambient Application	-30°C ~ +25°C
Max Ambient Subject to Luminaire Power/Driver Position	+50°C
Driver Mount	Internal
IP Rating on Installation	IP65
IK Rating	IK10
Substrates	Insulated Panel PIR / Plaster and Frame / Concrete
Fixing to substrate	Installer provides subject to substrate
Soffito to CB-XX	Bottom mount with SS CNC Screws with O'ring x 4 (supplied)

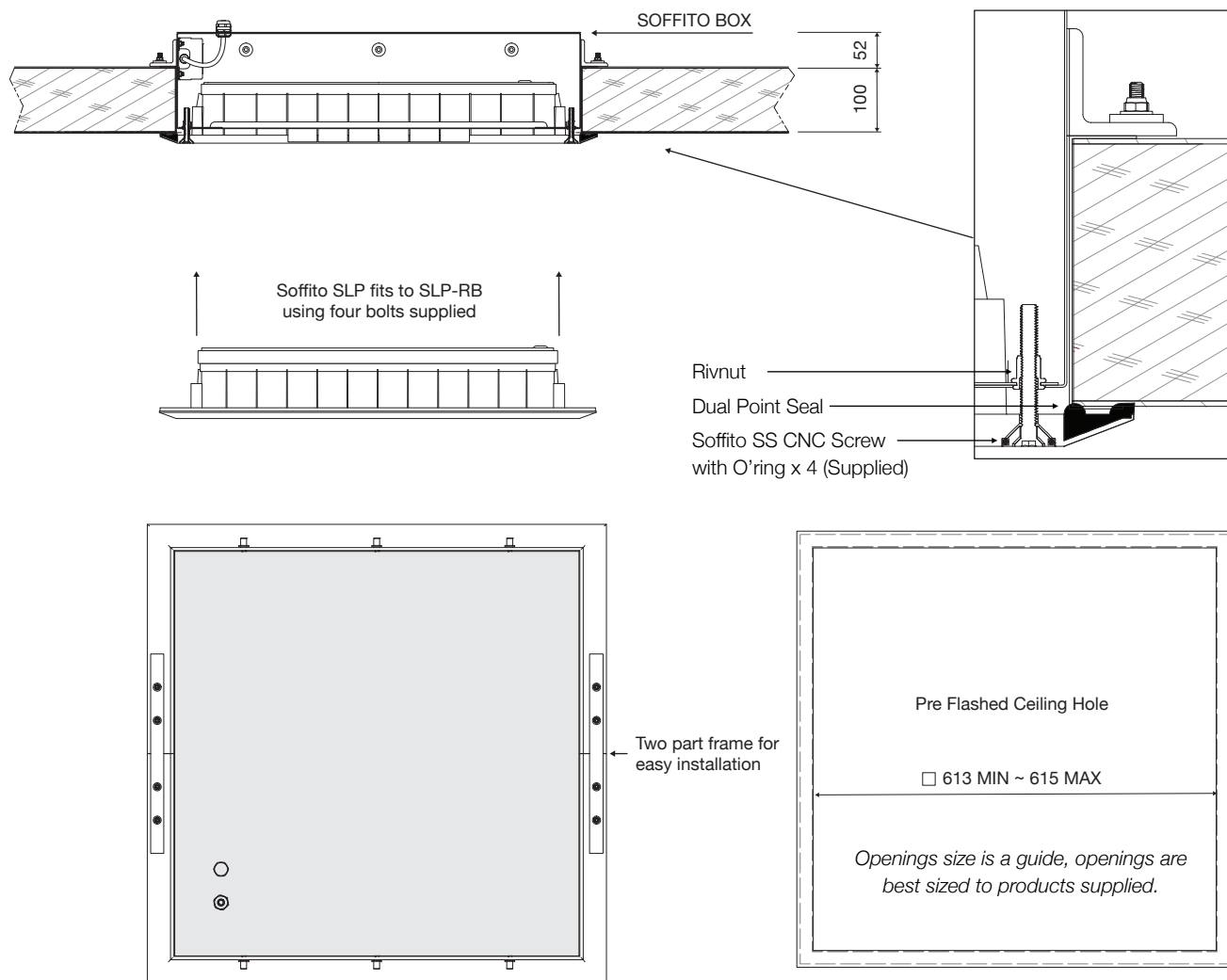


Note: Driver typically mounts internally for most applications though it can be requested as an external mount in high ambient temperature.

A recessed sealed mount box for Soffito SLP, manufactured in two standard finishes, 304SS or epoxy white over 304SS. SLP-RB is specified when it is necessary to have a secondary enclosure between the room and void to support luminaire maintenance.

Soffito SLP Recessed Mount Enclosure

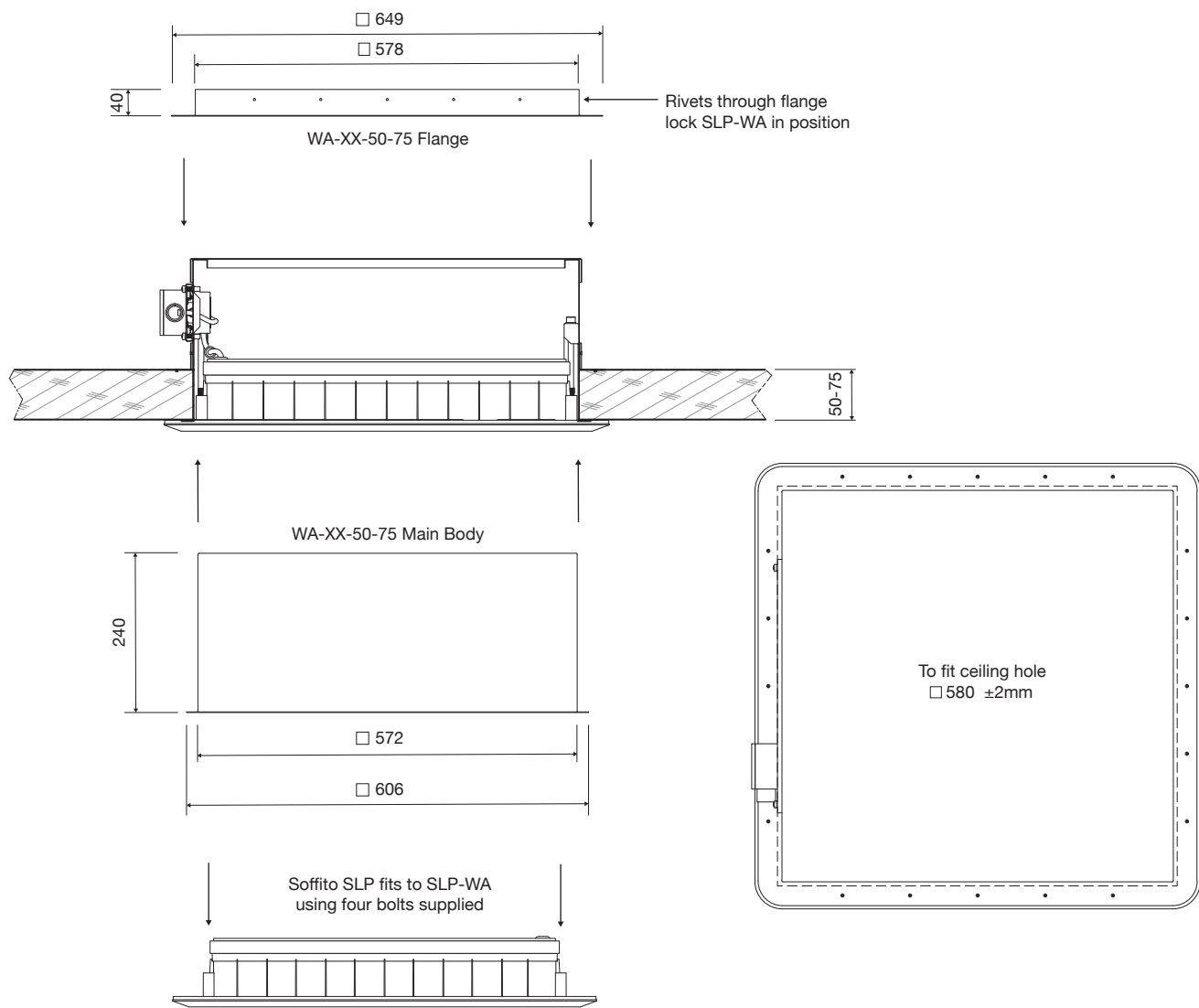
Maximum Power Luminaire	100W @ Ta 40°C in void above
Product Code: SLP-RB-PW	Epoxy White Paint over 304 SS
Product Code: SLP-RB-SS	304 Stainless
Typical Ambient Application	-30°C ~ +25°C
Max Ambient Subject to Luminaire Power/Driver Position	+50°C
Driver Mount	Internal
IP Rating on Installation	IP65
IK Rating	IK10
Substrates	Insulated Panel PIR / Plaster and Frame
Fixing to substrate	All parts provided, contractor drills holes for rivnuts to suit site requirements
Soffito to RB-XX	Bottom mount with SS CNC Screws with O'ring x 4 (supplied)



A raised box and lid assembly flashes the opening, providing a simple flush mount for Soffito with easy installation from above. It is suitable for substrates with a finished depth between 50-75mm and ensures a work-safe environment where foot traffic is expected.

Soffito SLP Recessed Walk Around Mount Enclosure

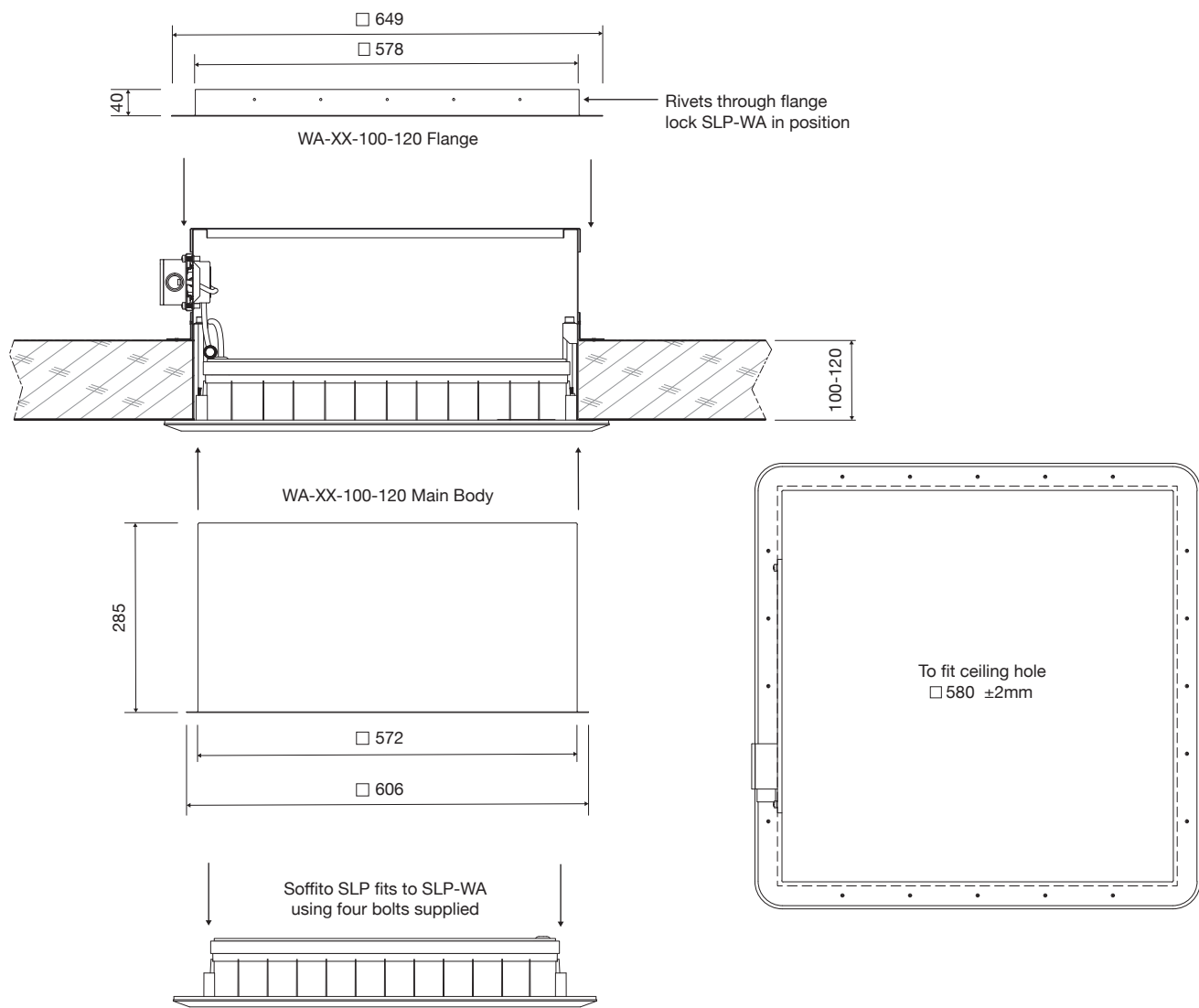
Maximum Power Luminaire	100W @ Ta 40°C in void above
Product Code: SLP-WA-PW-50-75	Epoxy White Paint over 304 SS
Product Code: SLP-WA-SS-50-75	304 Stainless
Typical Ambient Application	-30°C ~ +25°C
Max Ambient Subject to Luminaire Power/Driver Position	+50°C
Driver Mount	Internal
IP Rating on Installation	IP65
IK Rating	IK10
Substrates	Insulated Panel PIR / Plaster and Frame
Fixing to substrate	All parts provided, contractor drills holes for rivets to suit site requirements
Soffito to WA-XX-50-75	Top mount to frame using bolts provided



A raised box and lid assembly flashes the opening, providing a simple flush mount for Soffito with easy installation from above. It is suitable for substrates with a finished depth between 100-120mm and ensures a work-safe environment where foot traffic is expected.

Soffito SLP Recessed Walk Around Mount Enclosure

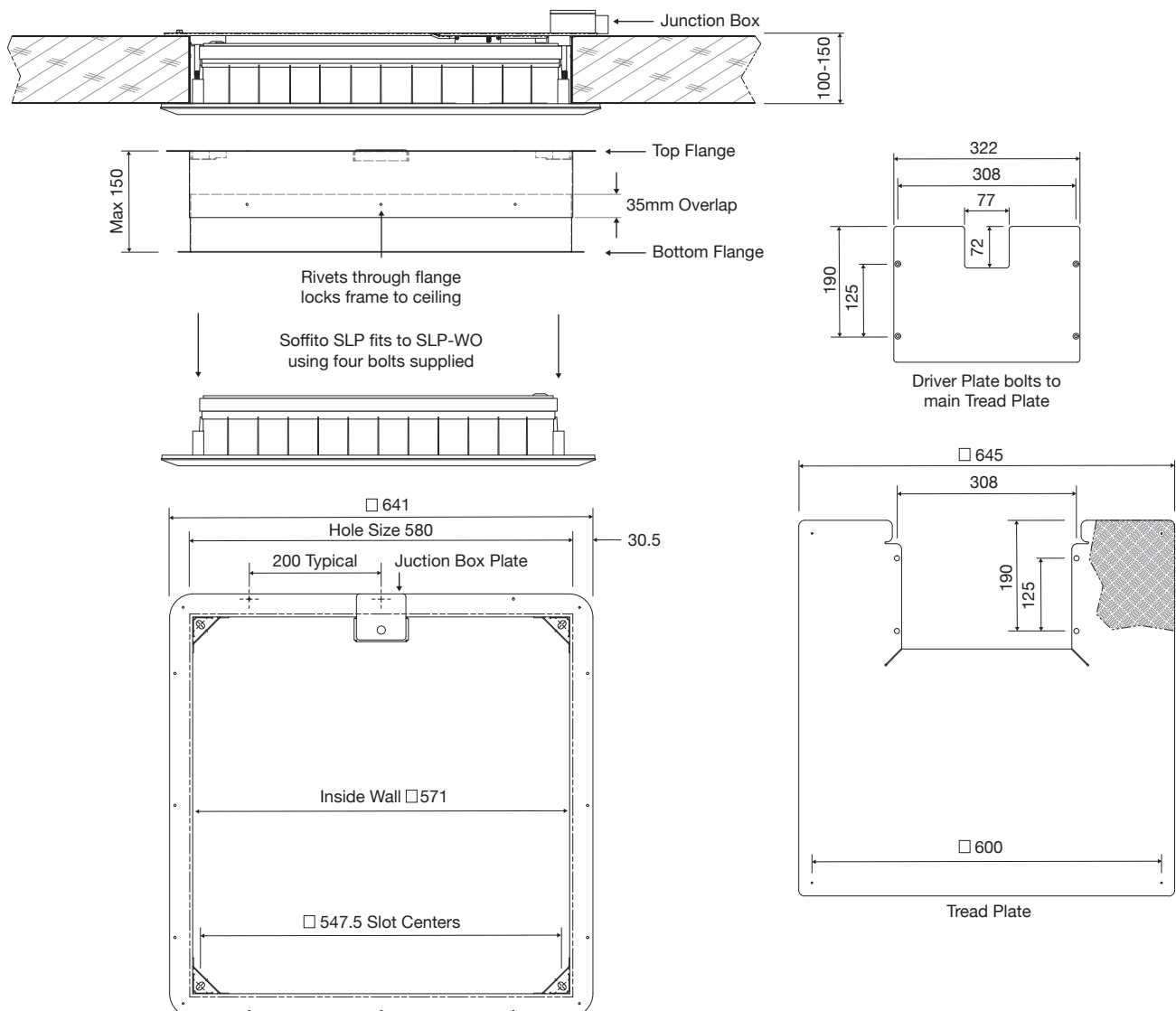
Maximum Power Luminaire	100W @ Ta 40°C in void above
Product Code: SLP-WA-PW-100-120	Epoxy White Paint over 304 SS
Product Code: SLP-WA-SS-100-120	304 Stainless
Typical Ambient Application	-30°C ~ +25°C
Max Ambient Subject to Luminaire Power/Driver Position	+50°C
Driver Mount	Internal
IP Rating on Installation	IP65
IK Rating	IK10
Substrates	Insulated Panel PIR / Plaster and Frame
Fixing to substrate	All parts provided, contractor drills holes for rivets to suit site requirements
Soffito to WA-XX-100-120	Top mount to frame using bolts provided



An integrated fire flashing and tread plate cover for flush mount applications, easy access for all maintenance requirements, and a small separate panel for driver access without the need to remove the main plate. Suitable for substrates between 100-150mm.

Soffito SLP Recessed Walk On Mount Enclosure

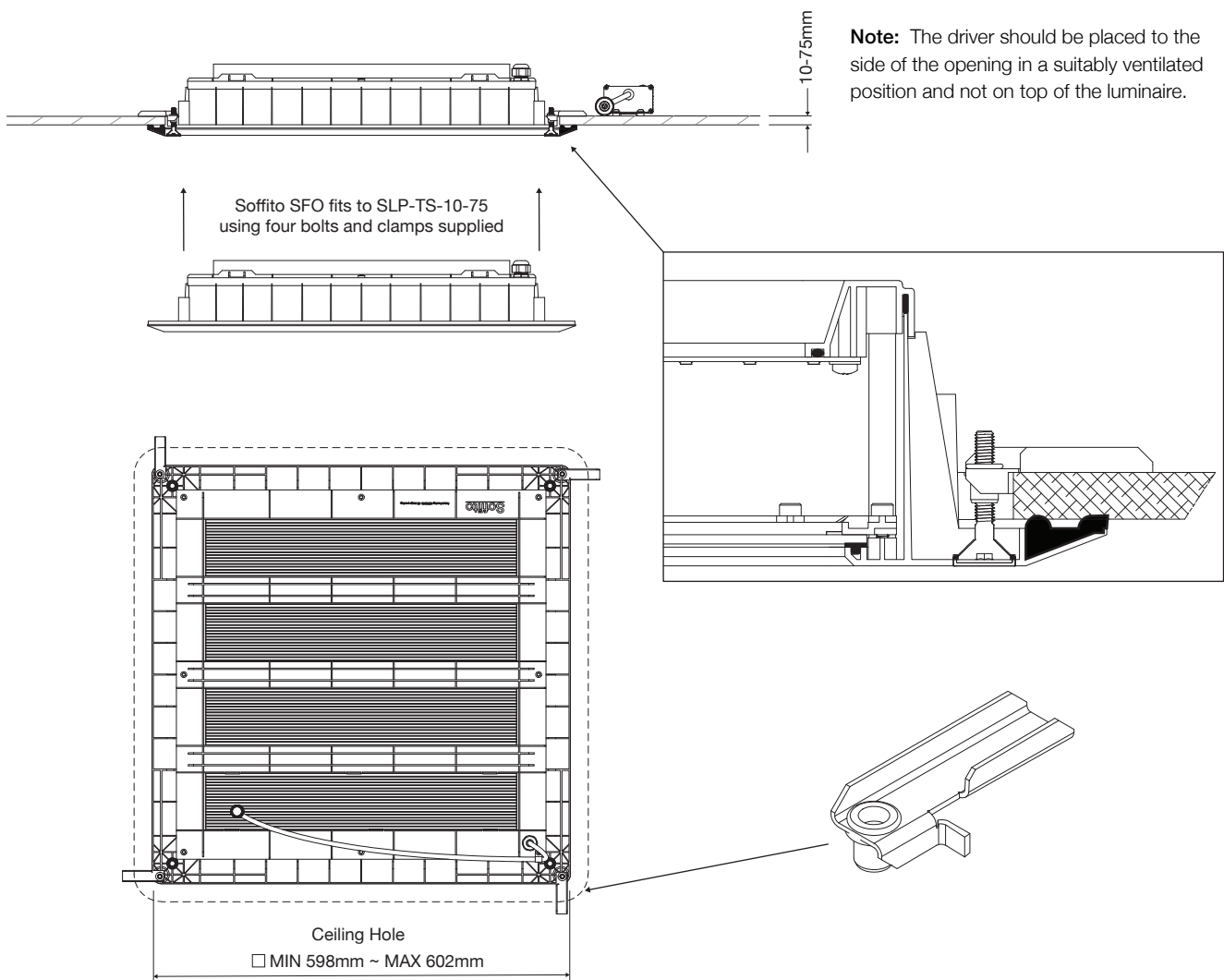
Maximum Power Luminaire	100W @ Ta 30°C in void above
Product Code: SLP-WO-PW-100-150	Epoxy White Paint over 304 SS
Product Code: SLP-WO-SS-100-150	304 Stainless
Typical Ambient Application	-30°C ~ +25°C
Max Ambient Subject to Luminaire Power/Driver Position	+50°C
Driver Mount	Internal
IP Rating on Installation	IP65
IK Rating	IK10
Substrates	Insulated Panel PIR / Plaster and Frame
Fixing to substrate	All parts provided, contractor drills holes for rivets to suit site requirements
Soffito to WO-XX-100-150	Top mount to frame using bolts provided



The simplest low-cost installation method for Soffito SFO. Ideal for applications where fire-flashing is not required. Installs from below to any load-bearing substrate between 10-75mm. Four lever bars rotate on install to clamp directly to the substrate. It is important to note that the driver should be placed to the side of the opening in a suitably ventilated position and not on top of the luminaire.

Soffito SFO Recessed Mount

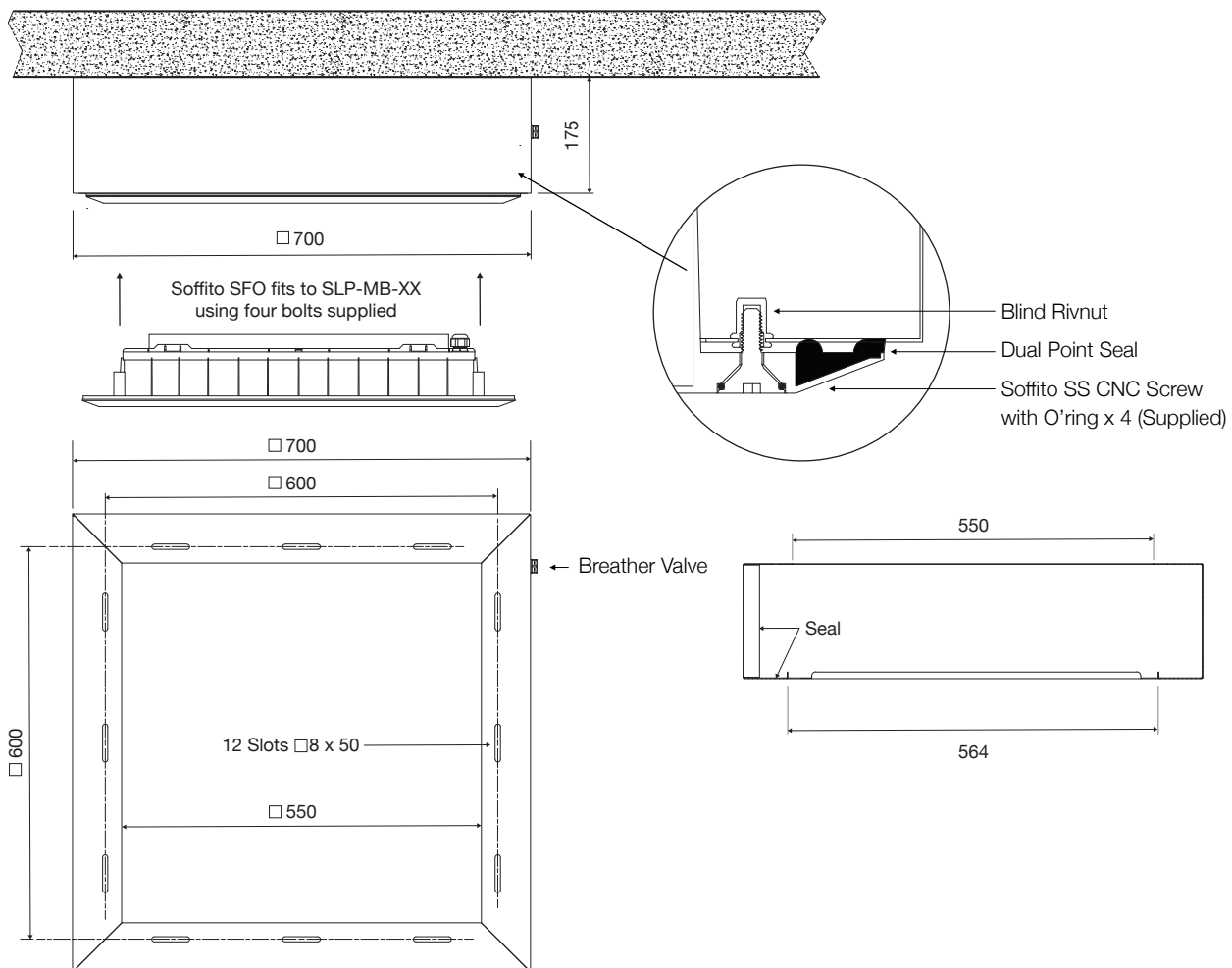
Maximum Power Luminaire	180W @ Ta 50°C
Product Code: SFO-TS-10-75	304 Stainless
Typical Ambient Application	-30°C ~ +25°C
Max Ambient Subject to Luminaire Power/Driver Position	+50°C
Driver Mount	External
IP Rating on Installation	IP65
IK Rating	IK10
Substrates	Any thin substrate suitable to take the load
Fixing to substrate	All parts provided
Soffito to TS-10-75	Bottom Mount with SS CNC Screws with O'ring x 4 (supplied)



A square-edged surface mount box for Soffito SFO with fully welded seams, manufactured in two standard finishes, 304SS or epoxy white over 304SS. Typically bolted and sealed to the substrate with Soffito mounted from below. The epoxy white paint finish should be specified where exposure to chemicals is expected. Custom options include higher grades of SS which are available on request

Soffito SFO Surface Mount Enclosure

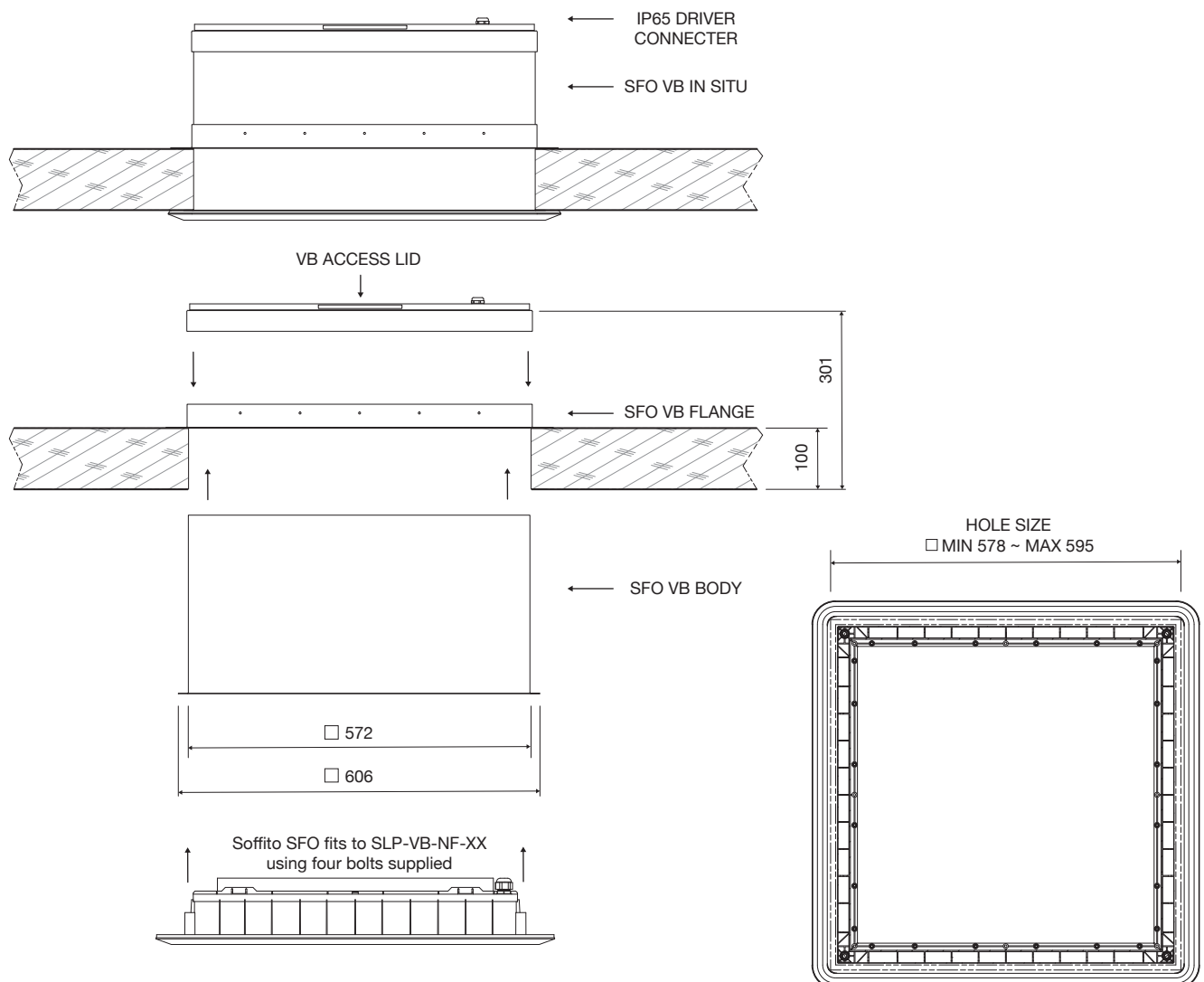
Maximum Power Luminaire	150W @ Ta 30°C
Maximum Power Luminaire	180W @ Ta ≤10°C
Product Code: SFO-MB-PW	Epoxy White Paint over 304 SS
Product Code: SFO-MB-SS	304 Stainless
Typical Ambient Application	-30°C ~ +25°C
Max Ambient Subject to Luminaire Power/Driver Position	+50°C
Driver Mount	Internal
IP Rating on Installation	IP65
IK Rating	IK10
Substrates	Insulated Panel PIR / Plaster and Frame / Concrete
Fixing to substrate	Installer provides subject to substrate
Soffito to MB-XX	Bottom Mount with SS CNC Screws with O'ring x 4 (supplied)



Provides an integrated fire flashing and vented box for flush mount applications. The vented lid and insect mesh protect the fitting against excess heat and ingress, with maintenance access from above. It suits new build applications where openings can be cut accurately to suit the narrow flange. The entire luminaire assembly can be accessed or replaced without access to the room below

Soffito SFO Recessed Vented Mount Enclosure

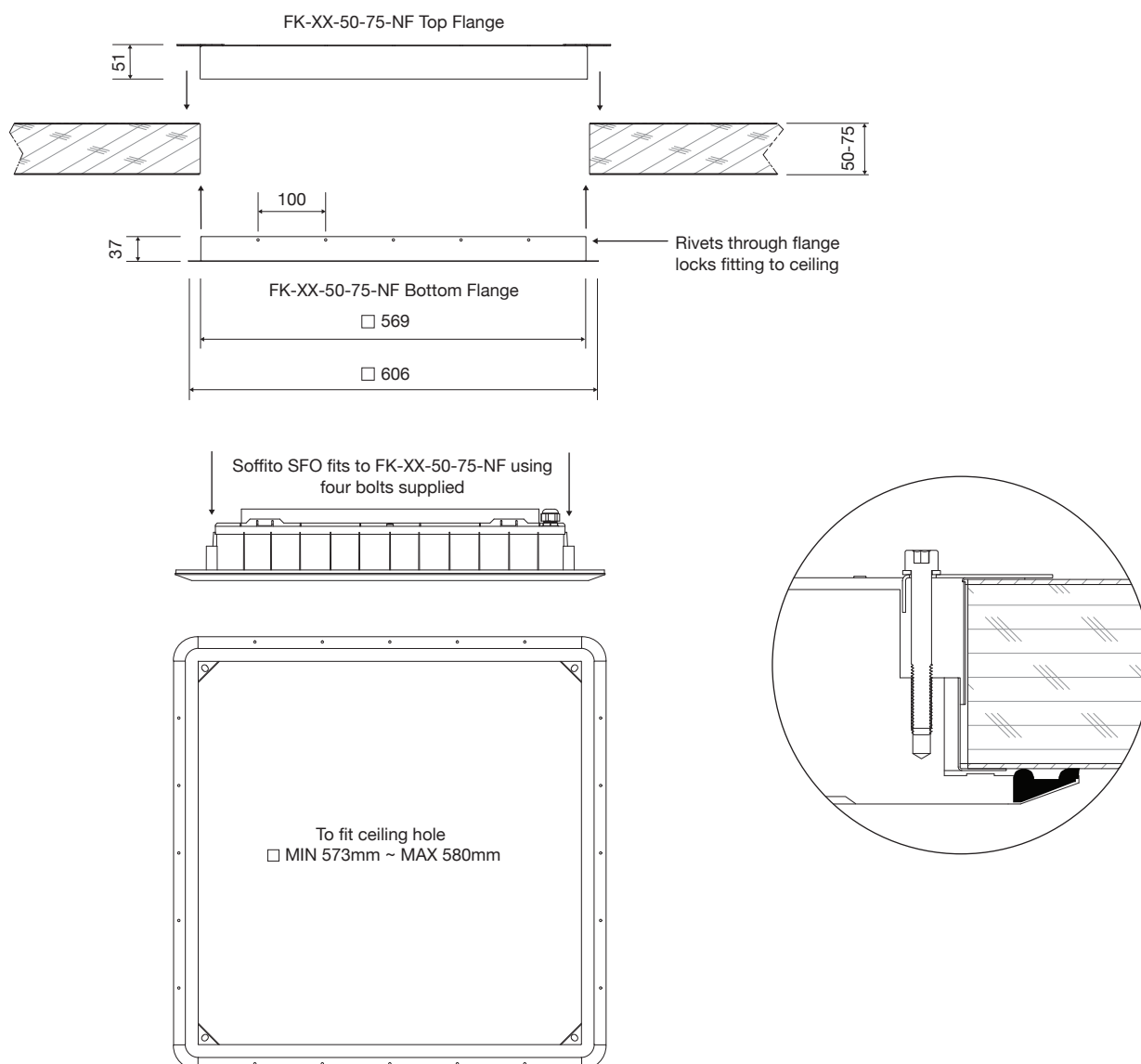
Maximum Power Luminaire	180W @ Ta 50°C
Product Code: SFO-VB-PW-NF	Epoxy White Paint over 304 SS
Product Code: SFO-VB-SS-NF	304 Stainless
Typical Ambient Application	-30°C ~ +25°C
Max Ambient Subject to Luminaire Power/Driver Position	+50°C
Driver Mount	Internal
IP Rating on Installation	IP65
IK Rating	IK10
Substrates	Insulated Panel PIR / Plaster and Frame
Fixing to substrate	All parts provided, contractor drills holes for rivets to suit site requirements
Soffito to VB-XX-NF	Top mount to frame using bolts provided



A recessed telescopic flashing kit for fast, low-cost flush mount for Soffito, which provides easy maintenance access from above. It suits new build applications where openings can be cut accurately to suit the narrow flange. It is unsuitable for areas with a trip or fall hazard, as the top is open and cannot be covered. Suitable for substrates between 50-75mm.

Soffito SFO Recessed Flashing Kit

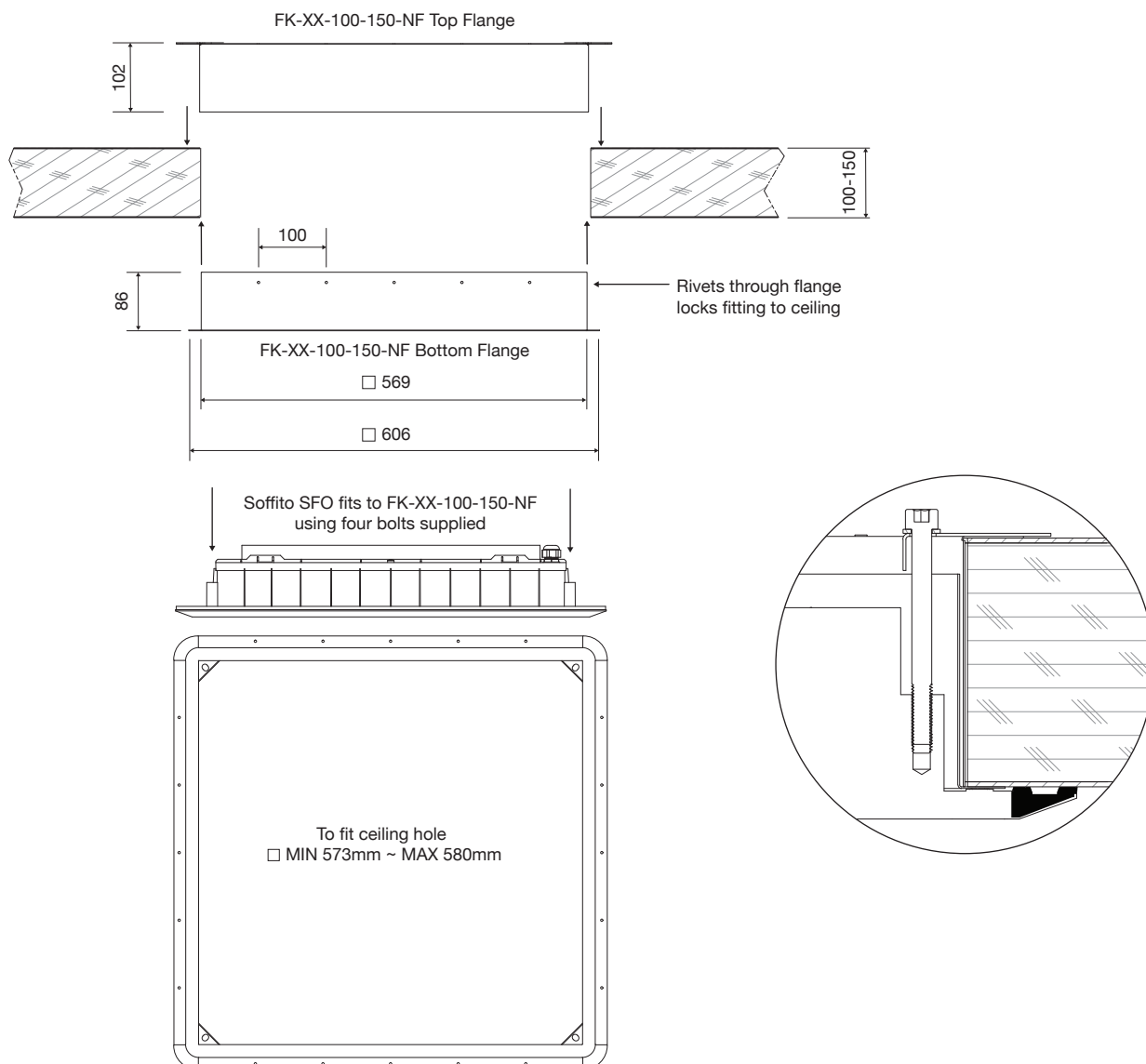
Maximum Power Luminaire	180W @ Ta 50°C
Product Code: SFO-FK-PW-50-75-NF	Epoxy White Paint over 304 SS
Product Code: SFO-FK-SS-50-75-NF	304 Stainless
Typical Ambient Application	-30°C ~ +25°C
Max Ambient Subject to Luminaire Power/Driver Position	+50°C
Driver Mount	Internal
IP Rating on Installation	IP65
IK Rating	IK10
Substrates	Insulated Panel PIR / Plaster and Frame
Fixing to substrate	All parts provided, contractor drills holes for rivets to suit site requirements
Soffito to FK-XX-50-75-NF	Top mount to frame using bolts provided



A recessed telescopic flashing kit for fast, low-cost flush mount for Soffito, which provides easy maintenance access from above. It suits new build applications where openings can be cut accurately to suit the narrow flange. It is unsuitable for areas with a trip or fall hazard, as the top is open and cannot be covered. Suitable for substrates between 100-150mm.

Soffito SFO Recessed Flashing Kit

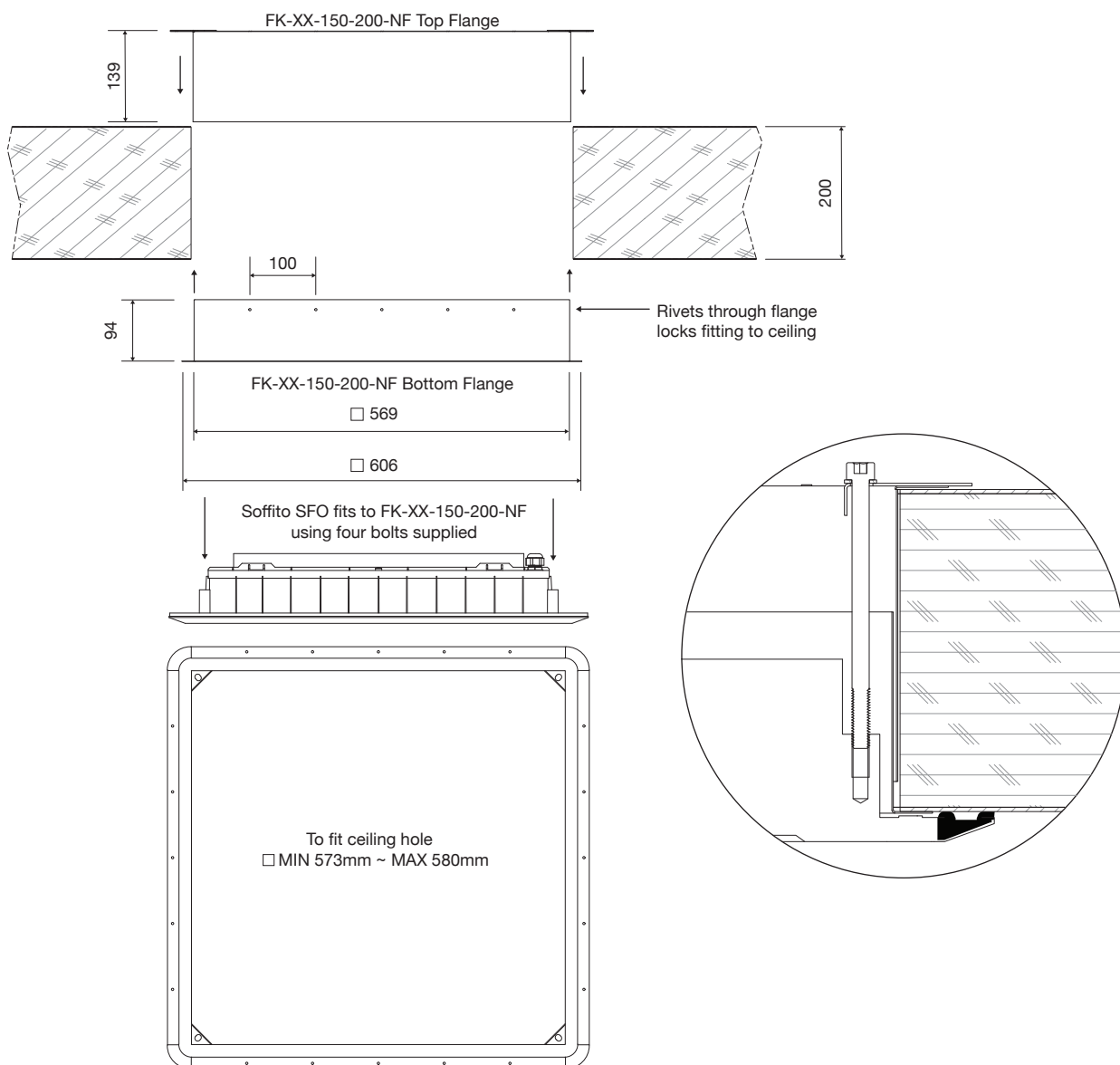
Maximum Power Luminaire	180W @ Ta 50°C
Product Code: SFO-FK-PW-100-150-NF	Epoxy White Paint over 304 SS
Product Code: SFO-FK-SS-100-150-NF	304 Stainless
Typical Ambient Application	-30°C ~ +25°C
Max Ambient Subject to Luminaire Power/Driver Position	+50°C
Driver Mount	Internal
IP Rating on Installation	IP65
IK Rating	IK10
Substrates	Insulated Panel PIR / Plaster and Frame
Fixing to substrate	All parts provided, contractor drills holes for rivets to suit site requirements
Soffito to FK-XX-100-150-NF	Top mount to frame using bolts provided



A recessed telescopic flashing kit for fast, low-cost flush mount for Soffito, which provides easy maintenance access from above. It suits new build applications where openings can be cut accurately to suit the narrow flange. It is unsuitable for areas with a trip or fall hazard, as the top is open and cannot be covered. Suitable for substrates between 150-200mm thick.

Soffito SFO Recessed Flashing Kit

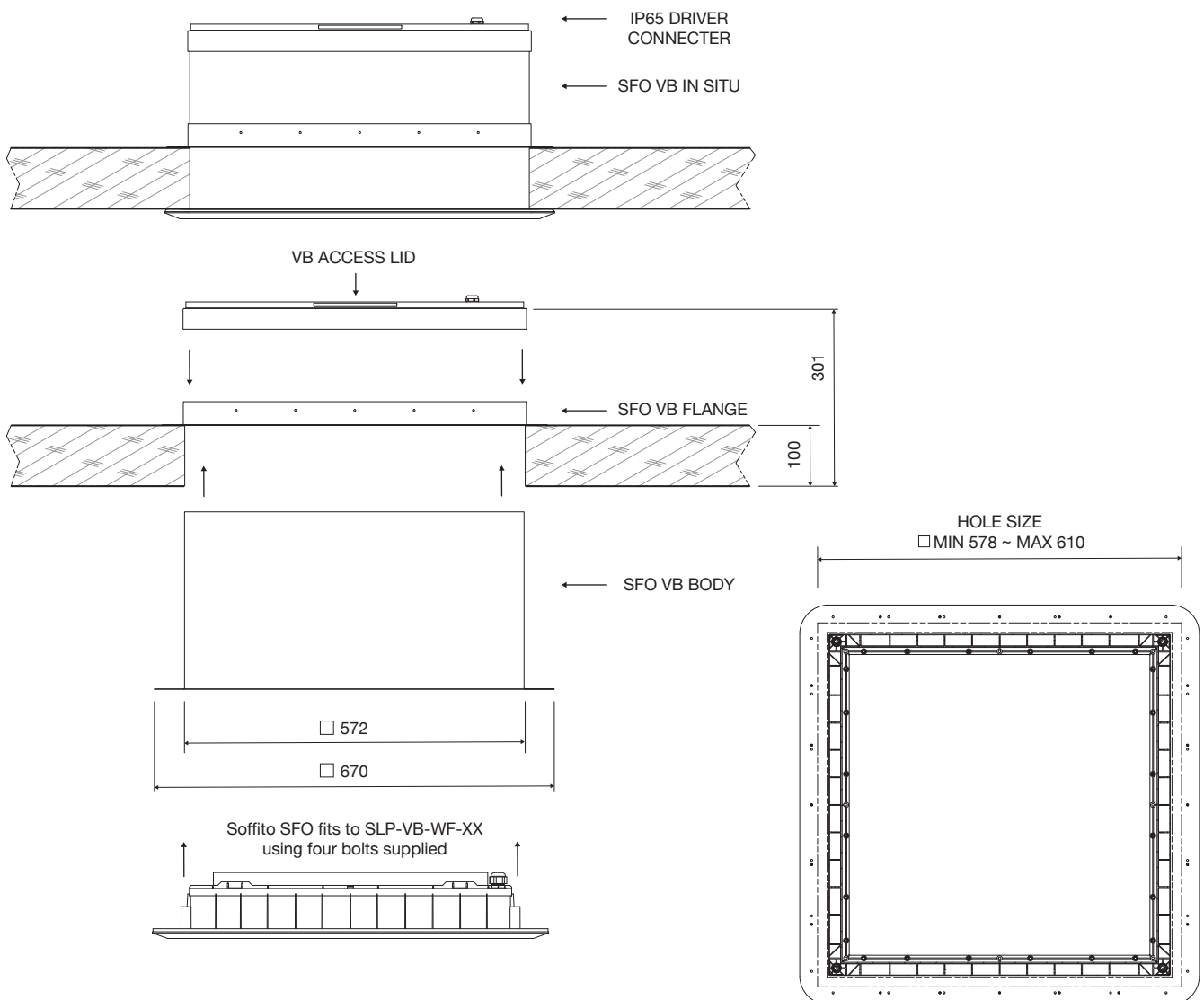
Maximum Power Luminaire	180W @ Ta 50°C
Product Code: SFO-FK-PW-150-200-NF	Epoxy White Paint over 304 SS
Product Code: SFO-FK-SS-150-200-NF	304 Stainless
Typical Ambient Application	-30°C ~ +25°C
Max Ambient Subject to Luminaire Power/Driver Position	+50°C
Driver Mount	Internal
IP Rating on Installation	IP65
IK Rating	IK10
Substrates	Insulated Panel PIR / Plaster and Frame
Fixing to substrate	All parts provided, contractor drills holes for rivets to suit site requirements
Soffito to FK-XX-150-200-NF	Top mount to frame using bolts provided



Provides an integrated fire flashing and vented box for flush mount applications. The vented lid and insect mesh protect the fitting against excess heat and ingress, with maintenance access from above. Typically used for upgrades or retrofit applications where openings wide flange provides a more generous cover and extends outside the frame. Specify epoxy finish for chemical environments.

Soffito SFO Recessed Vented Mount Enclosure

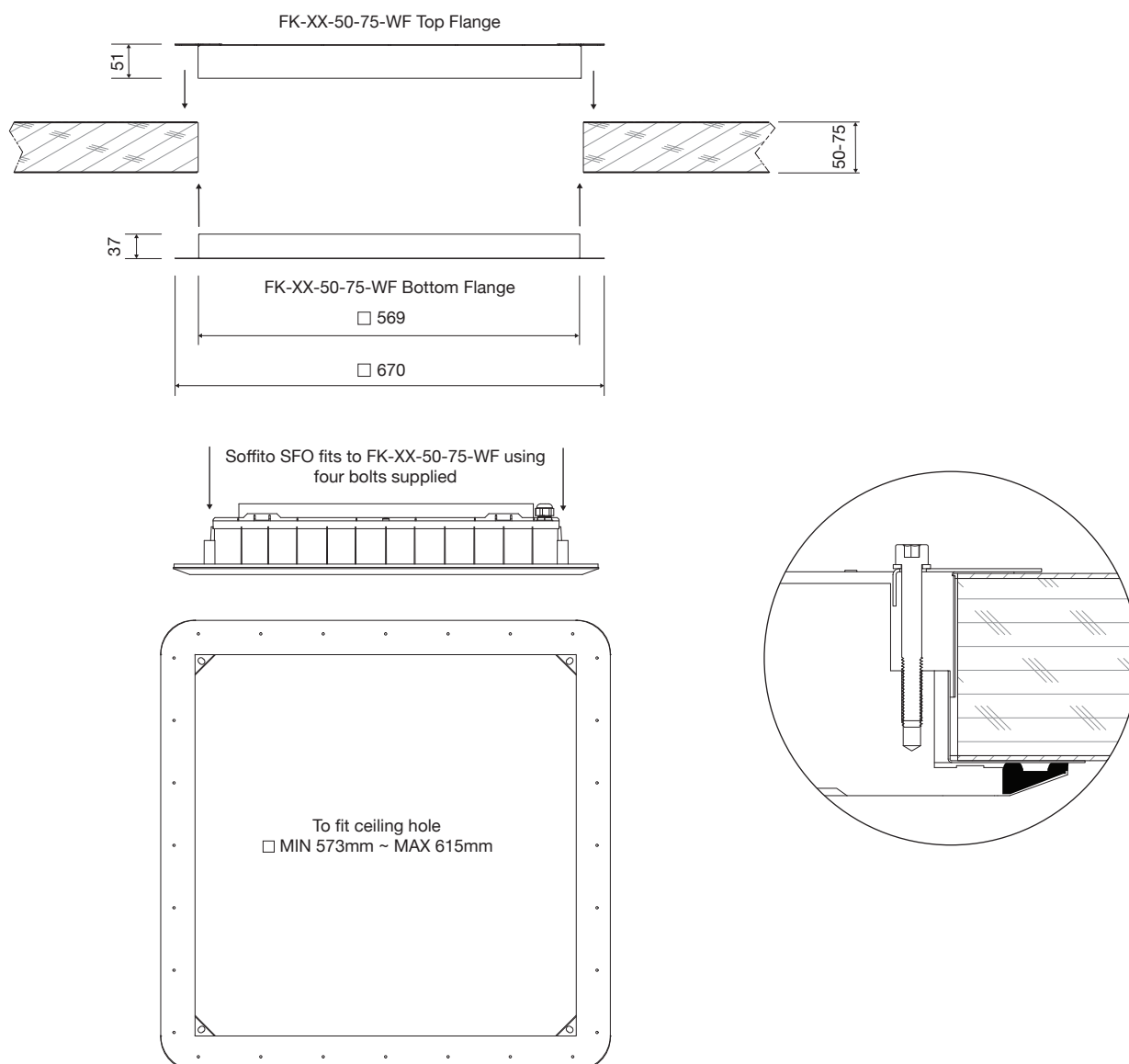
Maximum Power Luminaire	180W @ Ta 50°C
Product Code: SFO-VB-PW-WF	Epoxy White Paint over 304 SS
Product Code: SFO-VB-SS-WF	304 Stainless
Typical Ambient Application	-30°C ~ +25°C
Max Ambient Subject to Luminaire Power/Driver Position	+50°C
Driver Mount	Internal
IP Rating on Installation	IP65
IK Rating	IK10
Substrates	Insulated Panel PIR / Plaster and Frame
Fixing to substrate	All parts provided, contractor drills holes for rivets to suit site requirements
Soffito to VB-XX-WF	Top mount to frame using bolts provided



A recessed telescopic flashing kit for a fast, low-cost flush mount for Soffito provides easy maintenance access from above. The wide flange is exposed and should be specified with the epoxy finish when exposure to chemicals is expected. It is unsuitable for areas with a trip or fall hazard, as the top is open and cannot be covered. Suitable for substrates between 50-75mm.

Soffito SFO Recessed Flashing Kit

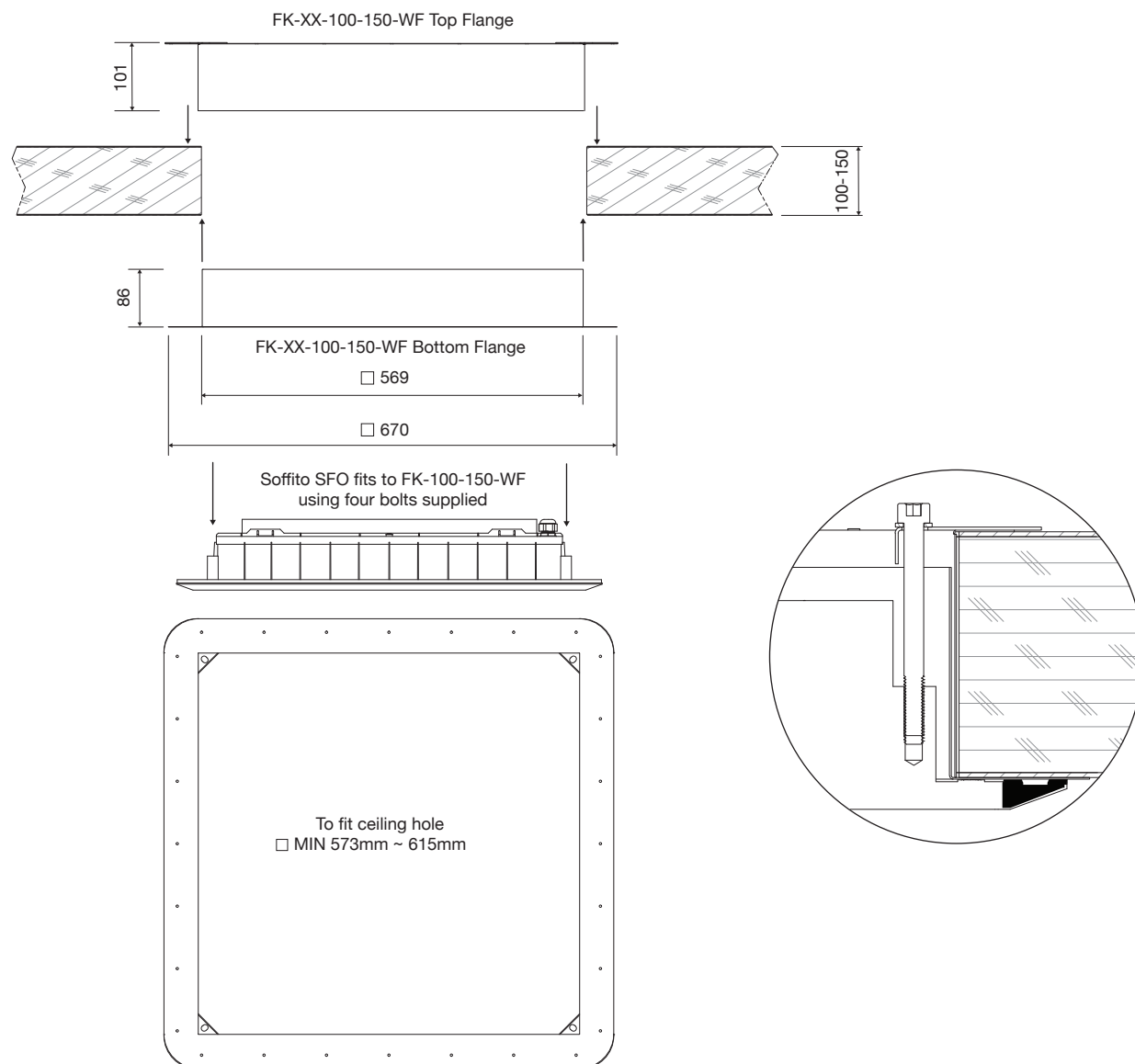
Maximum Power Luminaire	180W @ Ta 50°C
Product Code: SFO-FK-PW-50-75-WF	Epoxy White Paint over 304 SS
Product Code: SFO-FK-SS-50-75-WF	304 Stainless
Typical Ambient Application	-30°C ~ +25°C
Max Ambient Subject to Luminaire Power/Driver Position	+50°C
Driver Mount	Internal
IP Rating on Installation	IP65
IK Rating	IK10
Substrates	Insulated Panel PIR / Plaster and Frame
Fixing to substrate	All parts provided, contractor drills holes for rivets to suit site requirements
Soffito to FK-XX-50-75-WF	Top mount to frame using bolts provided



A recessed telescopic flashing kit for a fast, low-cost flush mount for Soffito provides easy maintenance access from above. The wide flange is exposed and should be specified with the epoxy finish when exposure to chemicals is expected. It is unsuitable for areas with a trip or fall hazard, as the top is open and cannot be covered. Suitable for substrates between 100-150mm

Soffito SFO Recessed Flashing Kit

Maximum Power Luminaire	180W @ Ta 50°C
Product Code: SFO-FK-PW-100-150-WF	Epoxy White Paint over 304 SS
Product Code: SFO-FK-SS-100-150-WF	304 Stainless
Typical Ambient Application	-30°C ~ +25°C
Max Ambient Subject to Luminaire Power/Driver Position	+50°C
Driver Mount	Internal
IP Rating on Installation	IP65
IK Rating	IK10
Substrates	Insulated Panel PIR / Plaster and Frame
Fixing to substrate	All parts provided, contractor drills holes for rivets to suit site requirements
Soffito to FK-XX-100-150-WF	Top mount to frame using bolts provided



A recessed telescopic flashing kit for a fast, low-cost flush mount for Soffito provides easy maintenance access from above. The wide flange is exposed and should be specified with the epoxy finish when exposure to chemicals is expected. It is unsuitable for areas with a trip or fall hazard, as the top is open and cannot be covered. Suitable for substrates between 150-200mm

Soffito SFO Recessed Flashing Kit

Maximum Power Luminaire	180W @ Ta 50°C
Product Code: SFO-FK-PW-150-200-WF	Epoxy White Paint over 304 SS
Product Code: SFO-FK-SS-150-200-WF	304 Stainless
Typical Ambient Application	-30°C ~ +25°C
Max Ambient Subject to Luminaire Power/Driver Position	+50°C
Driver Mount	Internal
IP Rating on Installation	IP65
IK Rating	IK10
Substrates	Insulated Panel PIR / Plaster and Frame
Fixing to substrate	All parts provided, contractor drills holes for rivets to suit site requirements
Soffito to FK-XX-150-200-WF	Top mount to frame using bolts provided

