

Soffito SLP LED Clean Room Series

PRODUCT	PERFORMANCE			AMBIENT		DRIVER	INRUSH	MAX PSU	WARRANTY
Model Number	Output	Power	Efficiency	Min	Max°	Function	Amps	Type C Breaker	24/7 @ max (Ta)
Soffito SLP HE Chipset @Ta 25°C (Ra85 CCT 4,000°K)									
SLP-HE-XYX-40W-ND	6,085lm	40W	152lm/W	-40°C	40°C	Non Dim	50A	8 @ 230 Vac	5 YRS
SLP-HE-XYX-40W-DM	6,085lm	40W	152lm/W	-40°C	40°C	0-10V	50A	8 @ 230 Vac	5 YRS
SLP-HE-XYX-40W-DA	6,085lm	40W	152lm/W	-40°C	40°C	DALI	50A	8 @ 230 Vac	5 YRS
SLP-HE-XYX-40W-D4i	6,085lm	40W	152lm/W	-40°C	40°C	DALI	50A	8 @ 230 Vac	7 YRS
SLP-HE-XYX-60W-ND	8,800lm	60W	146lm/W	-40°C	40°C	Non Dim	50A	14 @ 230 Vac	5 YRS
SLP-HE-XYX-60W-DM	8,800lm	60W	146lm/W	-40°C	40°C	0-10V	50A	14 @ 230 Vac	5 YRS
SLP-HE-XYX-60W-DA	8,800lm	60W	146lm/W	-40°C	40°C	DALI	50A	14 @ 230 Vac	5 YRS
SLP-HE-XYX-60W-D4i	8,800lm	60W	146lm/W	-40°C	40°C	DALI	50A	14 @ 230 Vac	7 YRS
SLP-HE-XYX-80W-ND	11,600lm	80W	145lm/W	-40°C	40°C	Non Dim	50A	14 @ 230 Vac	5 YRS
SLP-HE-XYX-80W-DM	11,600lm	80W	145lm/W	-40°C	40°C	0-10V	50A	14 @ 230 Vac	5 YRS
SLP-HE-XYX-80W-DA	11,600lm	80W	145lm/W	-40°C	40°C	DALI	50A	14 @ 230 Vac	5 YRS
SLP-HE-XYX-80W-D4i	11,600lm	80W	145lm/W	-40°C	40°C	DALI	50A	14 @ 230 Vac	7 YRS
SLP-HE-XYX-100W-ND	13,400lm	100W	134lm/W	-40°C	40°C	Non Dim	50A	14 @ 230 Vac	5 YRS
SLP-HE-XYX-100W-DM	13,400lm	100W	134lm/W	-40°C	40°C	0-10V	50A	14 @ 230 Vac	5 YRS
SLP-HE-XYX-100W-DA	13,400lm	100W	134lm/W	-40°C	40°C	DALI	50A	14 @ 230 Vac	5 YRS
SLP-HE-XYX-100W-D4i	13,400lm	100W	134lm/W	-40°C	40°C	DALI	50A	14 @ 230 Vac	7 YRS

(X) Correlated Colour Temperature options include: 4000°K (4) | 5000°K (5) | 6000°K (6)

(YY) Ra (CRI) Options include Ra85 (85), Ra95. (95) Example: 5,000k Ra85, XYX = 585

Driver Function: **ND** Non dimming (Vo to reduce output) | **DM** 1-10V Dimming | **DA** DALI | **D4i** DALI D4i

Ambrite™ can be specified by replacing the (XYX) options with: **AMB**

SERVICING

The light source contained in this luminaire shall only be replaced by the manufacturer or their service agent or a similar qualified person.

*High radiant temperatures or unexpected heat sources can potentially damage or significantly impair the performance of the luminaire. Use of third party non-approved enclosures will void warranty. Only suitable for use with Isollux approved and manufactured installation kits. Please contact Isollux prior to installation if further information is required.

ISO-SLP-INS-0723

isollux™

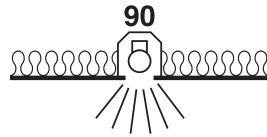
Soffito SLP™ LED Clean Room Series



Thank you for selecting the Isollux for your LED lighting Solution. At Isollux, we are dedicated to ensuring our products are designed to meet the challenges of commercial applications. Visit our website to discover more about this and other Isollux products. BLS Products are manufactured by Isollux LED Ltd.

WARNING

RISK OF OVERHEATING OR FIRE IF THE CLEARANCE DISTANCES ARE COMPROMISED



CLEARANCES

The minimum distance from the top of the luminaire to any normally flammable building element is **20mm**

The minimum distance from the top of the luminaire to any building insulation is **20mm**

The minimum distance from the side of the luminaire to any normal flammable building element is **0mm**

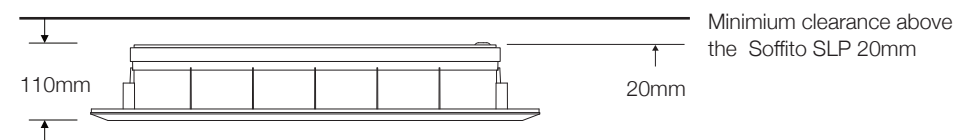
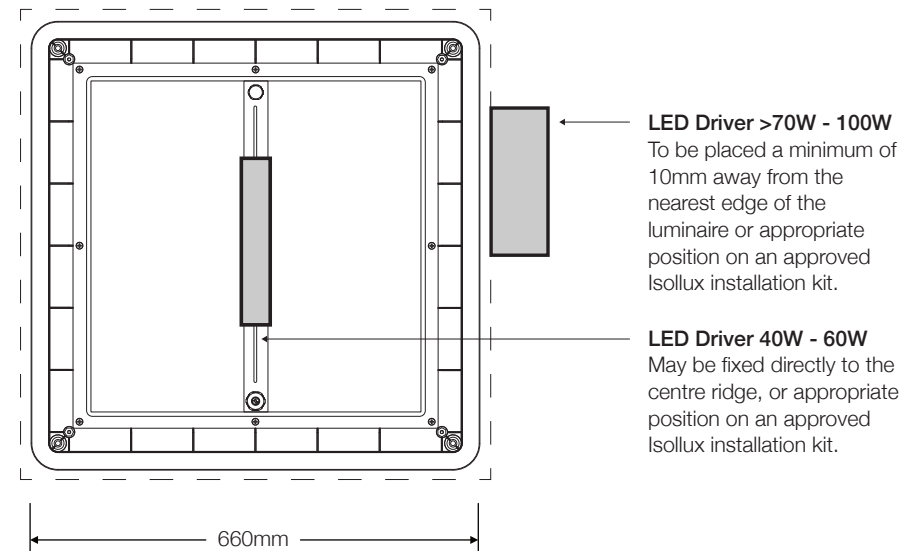
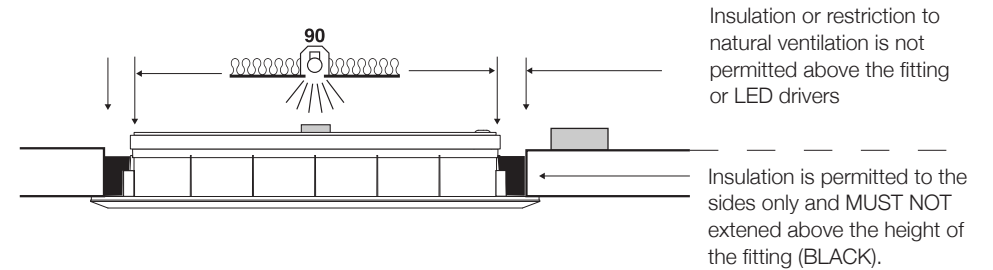
The minimum distance from the side of the luminaire to any building insulation is **0mm**

DO NOT ENCLOSE OR COVER

This product requires adequate ventilation if an enclosure or cover is required it is essential to use the appropriate installation kit. Warranty may be void with adhoc installation.

Current examples of Isollux approved installation kits are shown at the back of this manual, if you have any questions contact Isollux prior to installation.

CLEARANCE DIAGRAM



IMPORTANT READ BEFORE INSTALLING

Soffito is a SELV NON IC luminaire, IT IS NOT SUITABLE FOR DIRECT CONNECTION TO MAINS SUPPLY. Only connect to SELV power using the specified driver, and the pre-wired quick connector supplied. The LED drivers are certified as independent drivers and in some instances are not fixed to an enclosure. Where the drivers are not provided with a position.

DO NOT POSITION THE DRIVER ON, OR COVER THE HEATSINK (see clearance diagram)

Soffito is NOT SUITABLE FOR USE AS A FIRE FLASHING, exposed combustible materials must be fire-flashed to meet building standards, this is easiest to achieve safely with an approved installation kit. Adhoc non approved methods of installation may damage the product, void warranty and compromise safety. It is advisable to order the correct installation kit subject to both the application and environment.

BEFORE YOU START

IN THE BOX

Isollux Soffito SLP LED, LED Driver, Cable Connections (in some cases install kits maybe nested with the product) Soffito can be installed from above or below using the four positions at each corner. Where two or more types of kit are supplied make sure the correct kit is selected for each area. And always ensure the kit is correctly installed before attempting to install Soffito.

TOP FIXING METHOD

When mounting from above, seal the four corner facia holes using the 'press fit' white cap and o'ring supplied. Add the O'ring to the button and press firmly into each corner. The caps permanently seal the front facia for top mount Soffito applications. *They are food safe permanent grips, if installed in error, use a sharp knife to cut the grips behind the frame to release the cap and o'ring.*

BOTTOM FIXING METHOD

Soffito mounts to the appropriate installation kit using the CNC Stainless Cup-Washer, o'ring and screw supplied. To make installation easier for installers working alone, a cable suspension kit is supplied with both the SLP-MB-XX and SLP-RB-XX. This provides temporary support while making the electrical connection. When ready, carefully guide the cables behind the seal as the unit is raised and fixed into position.

INSTRUCTIONS

Prepare and install the correct mount kit, using a silicon sealant between the installation kit and substrate, following the video or guide supplied. Always seal to the substrate and for surface mount kits ensure the fixings are suitable for the load. (Fixings are only supplied between the installation kit and Soffito as application methods and requirements differ between substrates). An overview of the main installation methods can be viewed online at:



SFO-VB-SS
Vented Box Kit
Install Guide

vimeo.com/449141652



SFO-MB-SS
Mounted Box Kit
Install Guide

vimeo.com/449141524



SFO-FK-SS
Flashing Kit
Install Guide

vimeo.com/449141303

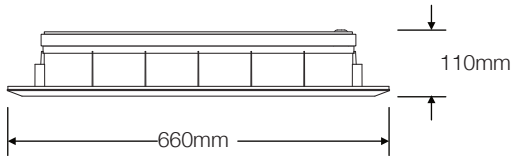
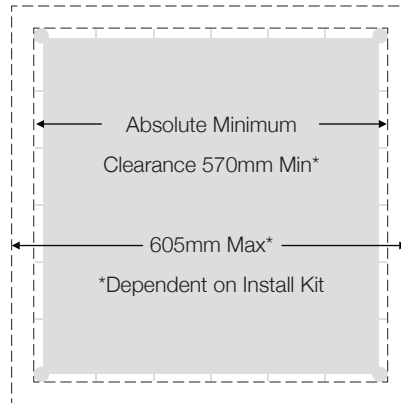
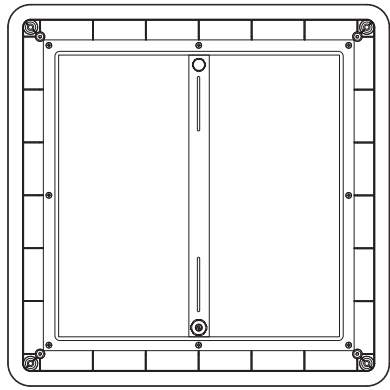
INSTALLATION INSTRUCTIONS

Disconnect the main power supply and install the LED driver supplied to the installation kit. For further detail, see the drawings to the rear of this manual and if in doubt, contact Isollux directly before installation. Remove the Soffito product from its packaging, inspect for damage during transit. If damage is found contact your supplier as soon as possible before installing the product.

Check that the lamp is aligned correctly and fix using into position using the four screws or bolts supplied. DO NOT OVER TIGHTEN. The connection should be firm but not excessive, the seal is soft and will seal easily to clean flat surfaces. Over-tightening will damage the fitting and not covered by warranty. Use only a medium torque setting to prevent damage.

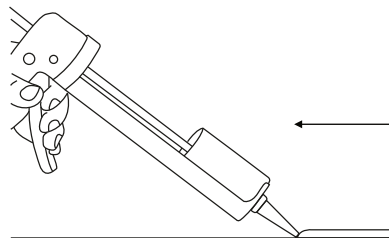
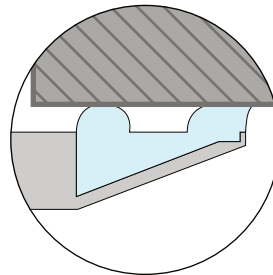
If the surface is un-even, or has gaps or seams to bridge, use extra force in an attempt to bridge the seal, add a suitable silicon bead to the centre gully of the main seal.

Once the Soffito is correctly installed and connect the LED driver to mains power in accordance with AS/NZS 3000 and suitable IP rated connection, junction box or conduit subject to the installation kit. Energise circuit and check operation of light.



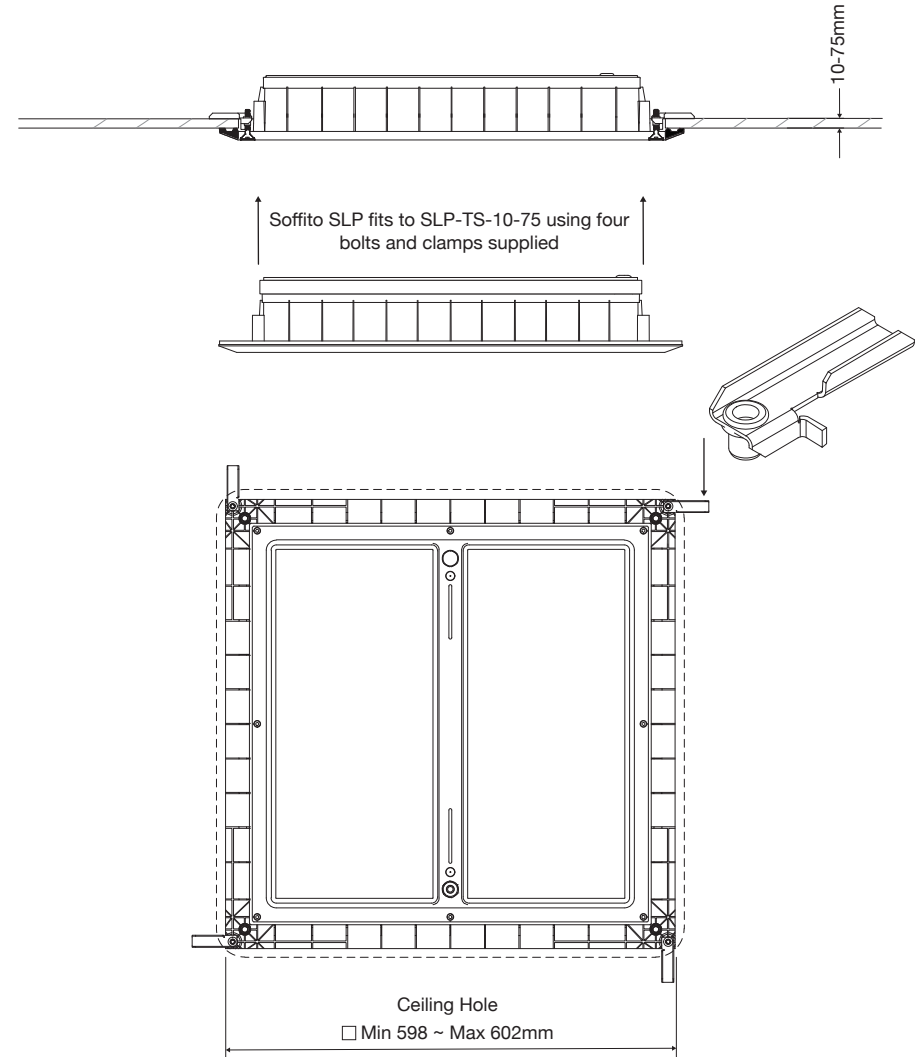
Soffito SLP creates an hermetic seal to virtually any smooth, flat surface; including PIR *insulated panels*, *plaster* or *fibre-board* ceilings and is suitable for both wet and dry applications.

The one-piece seamless design of the main seal provides IP66 protection for suitable substrates; and is proven to maintain atmospheric integrity to both positive and negative pressure environments in large single room applications with 700+ individual fixtures.



Fast or slow cure silicon may be piped into the central groove of the main seal to improve the seal where the ceiling surface is uneven.

Ensure the openings are suitably flashed prior to installation in line with relevant building code



IP Rating: IP65

Max Power: 100W @ Ta 40°C

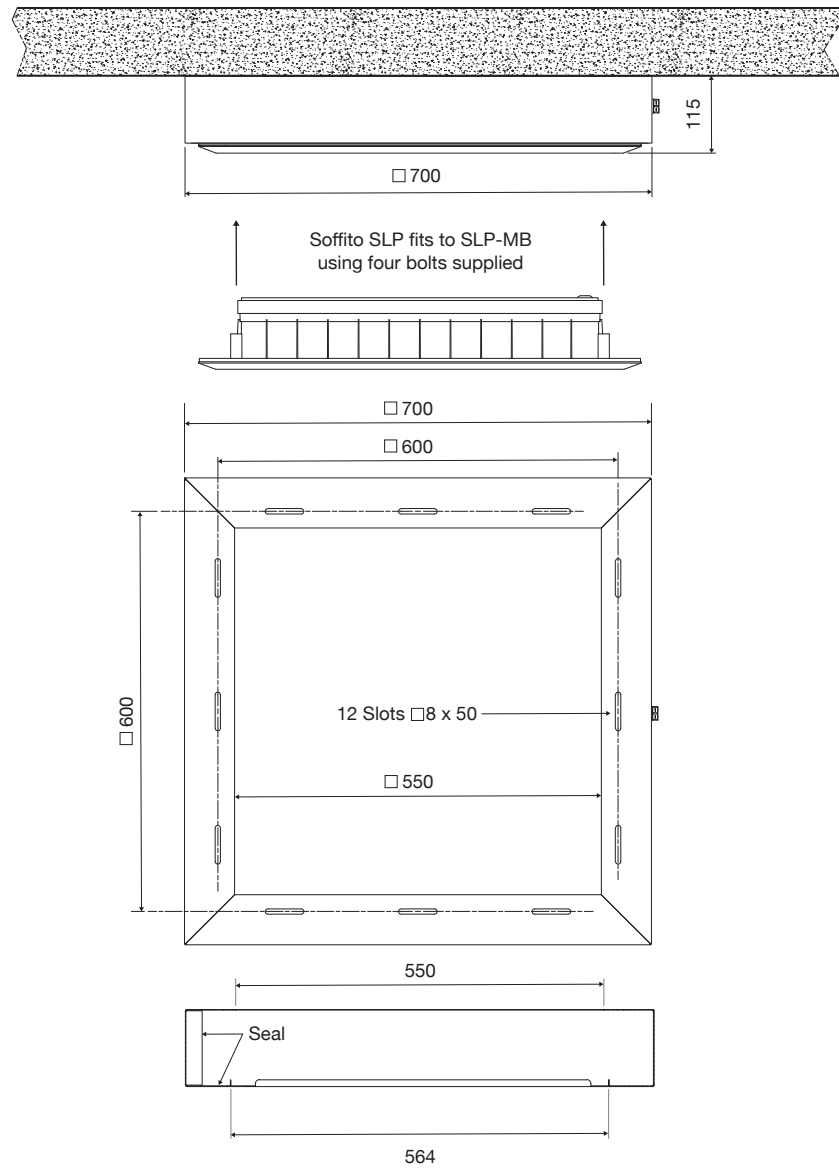
Typical Ambient Application -30°C ~ +25°C

304 Stainless Steel

SLP-TS-10-75

SLP-MB-XX

Surface Mount Box - Sealed Straight Corners



IP Rating: IP65

Max Power: 100W @ Ta 30°C

Typical Ambient Application -30°C ~ +25°C

304 Stainless Steel

SLP-MB-SS

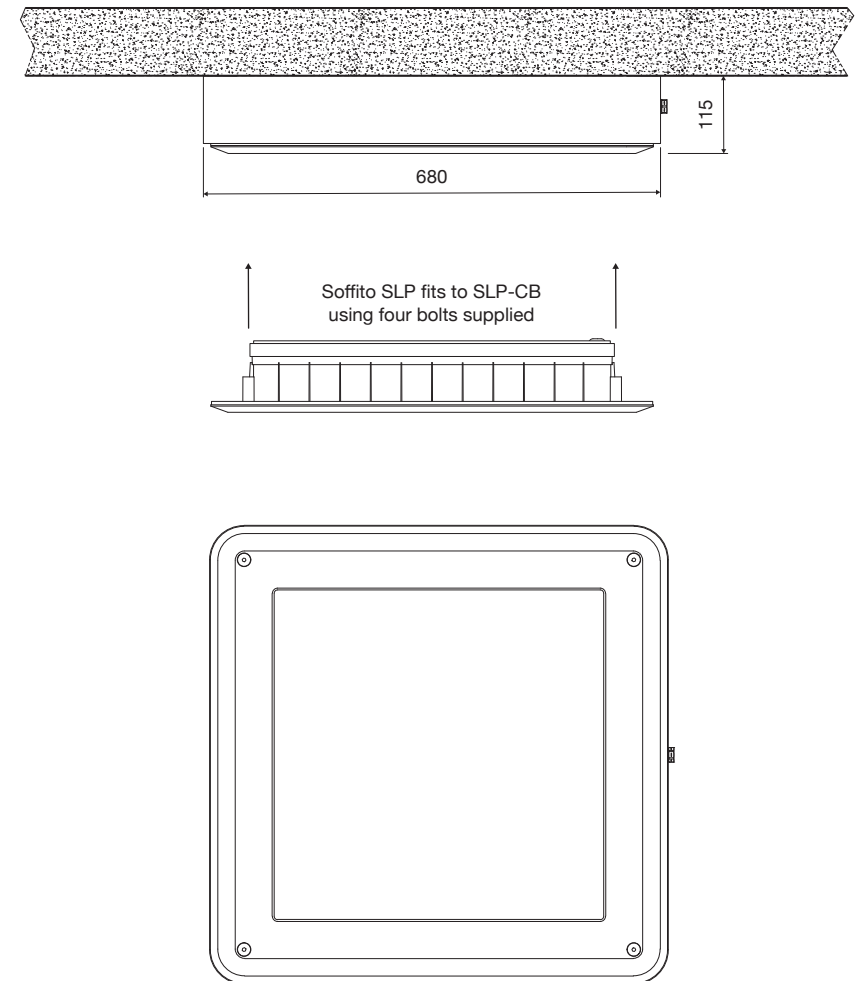
Epoxy White Paint over 304 SS

SLP-MB-PW

Isollux LED Ltd.

SLP-CB-XX

Surface Mount Box - Sealed Radius Corners



IP Rating: IP65

Max Power: 100W @ Ta 30°C

Typical Ambient Application -30°C ~ +25°C

316 Stainless Steel

SLP-CB-SS

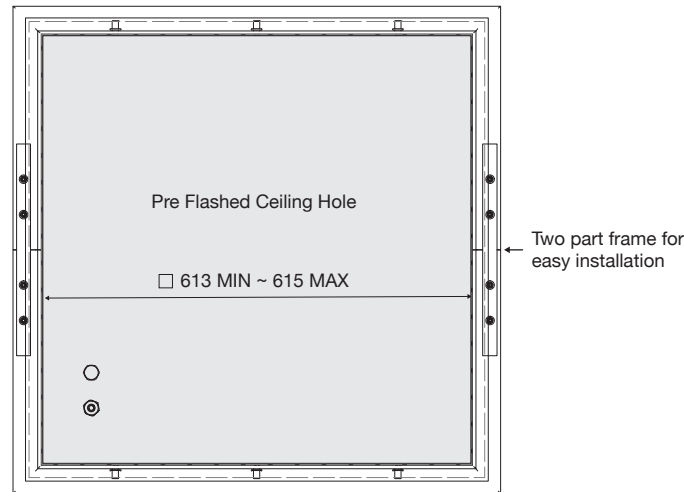
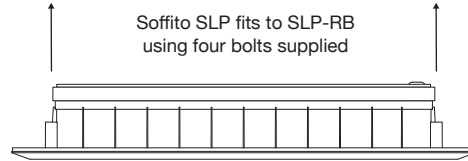
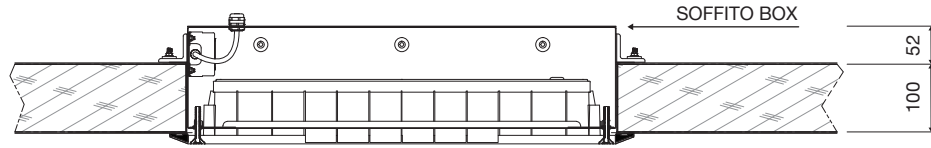
Epoxy White Paint over 304 SS

SLP-CB-PW

www.isollux.com

SLP-RB-XX

Recessed Mount Box - Secondary Enclosure



IP Rating: IP65

Max Power: 100W @ Ta 40°C

Typical Ambient Application -30°C ~ +25°C

304 Stainless Steel

SLP-MB-SS

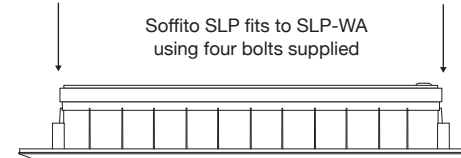
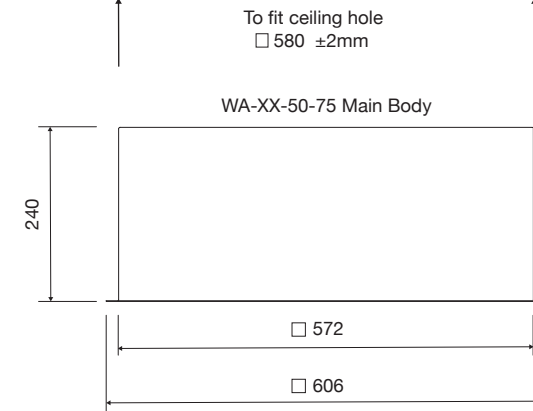
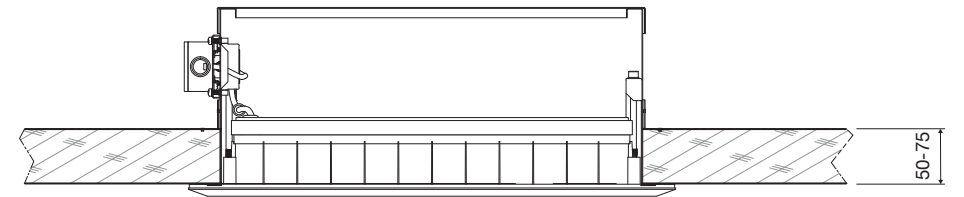
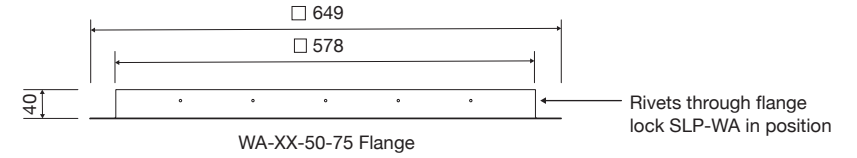
Epoxy White Paint over 304 SS

SLP-MB-PW

Isollux LED Ltd.

SLP-WA-XX-50-75

Recessed Walk Around Mount Box



IP Rating: IP65

Max Power: 100W @ Ta 40°C

Typical Ambient Application -30°C ~ +25°C

316 Stainless Steel

SLP-WA-SS-50-75

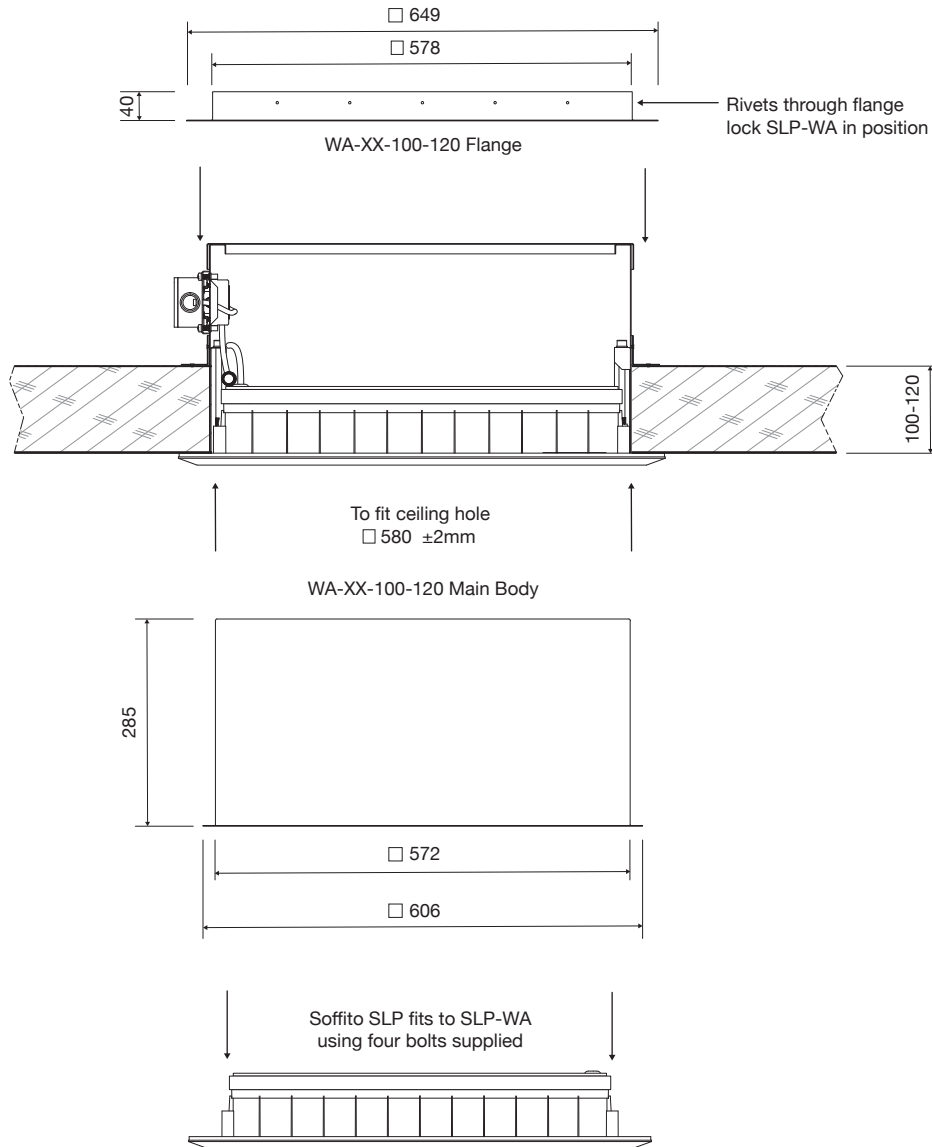
Epoxy White Paint over 304 SS

SLP-WA-PW-50-75

www.isollux.com

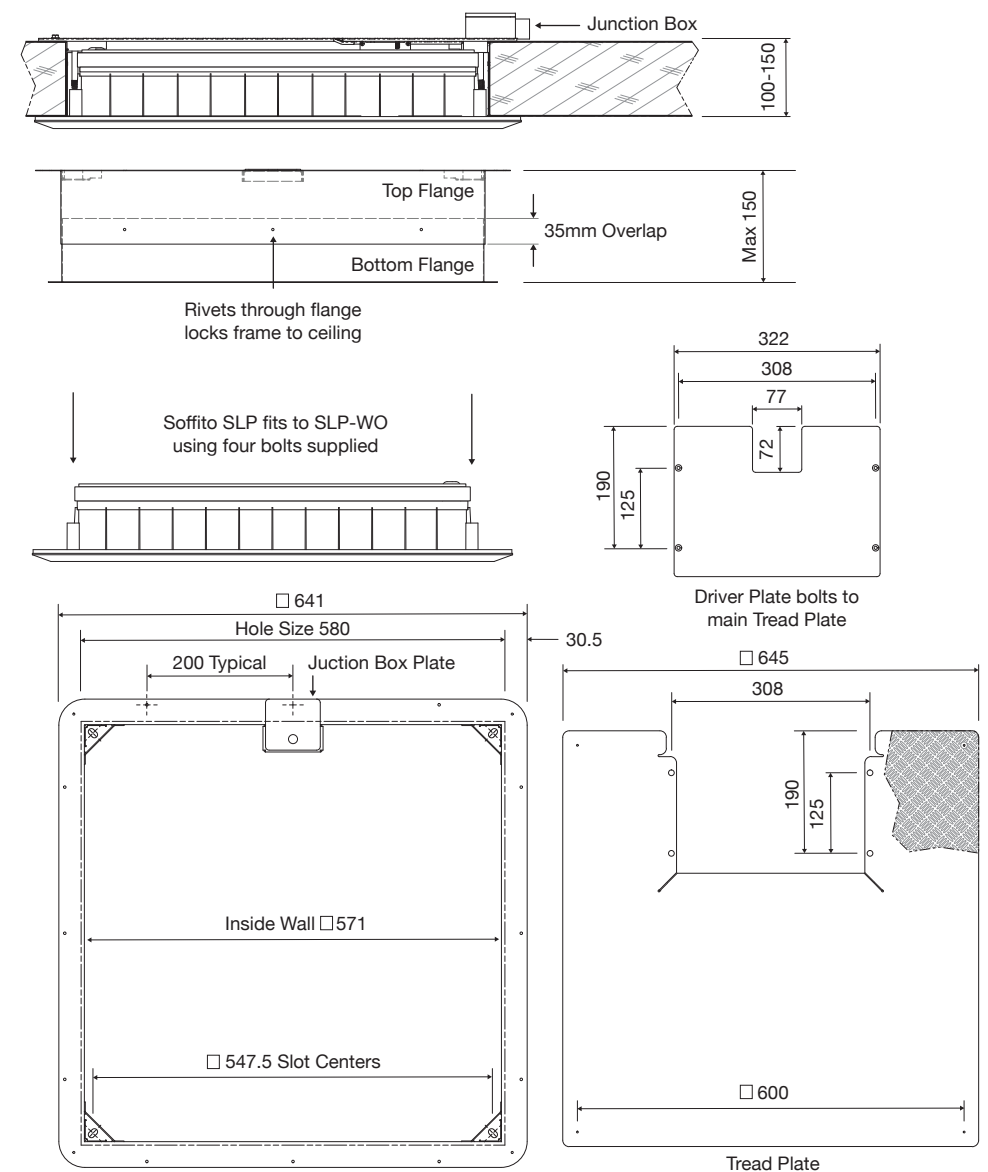
SLP-WA-XX-100-120

Recessed Walk Around Mount Box



SLP-WO-XX-100-150

Recessed Walk On Mount Box



IP Rating: IP65

Max Power: 100W @ Ta 40°C

Typical Ambient Application -30°C ~ +25°C

316 Stainless Steel

SLP-WA-SS-100-120

Epoxy White Paint over 304 SS

SLP-WA-PW-100-120

IP Rating: IP65

Max Power: 100W @ Ta 30°C

Typical Ambient Application -30°C ~ +25°C

316 Stainless Steel

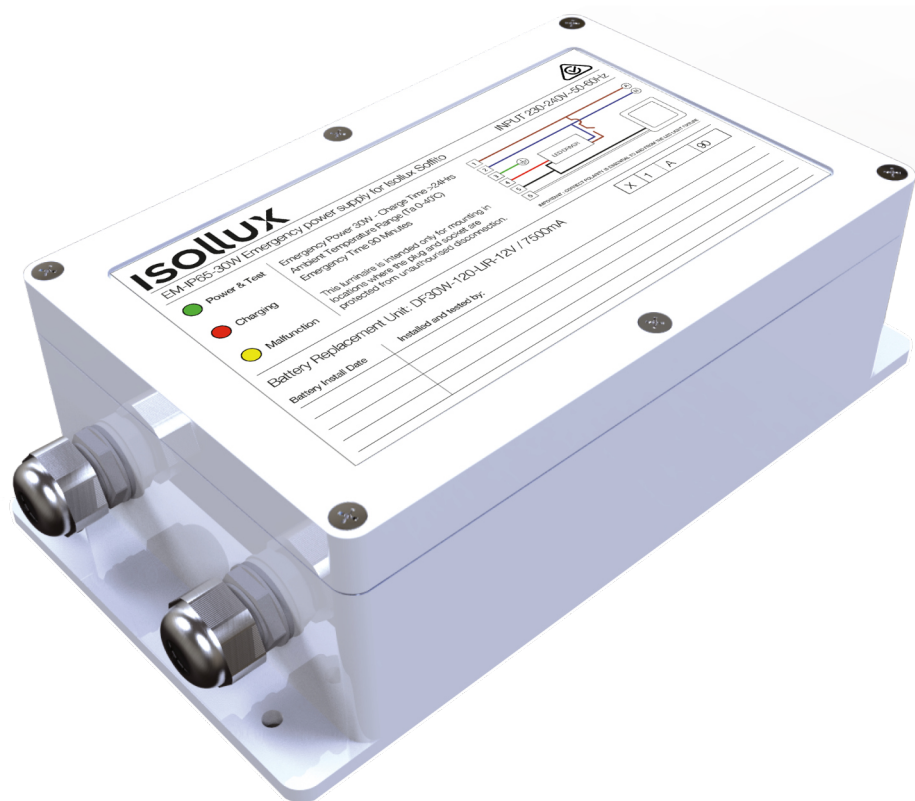
SLP-WO-SS-100-150

Epoxy White Paint over 304 SS

SLP-WO-PW-100-150

SOFFITO EMERGENCY POWER PACK

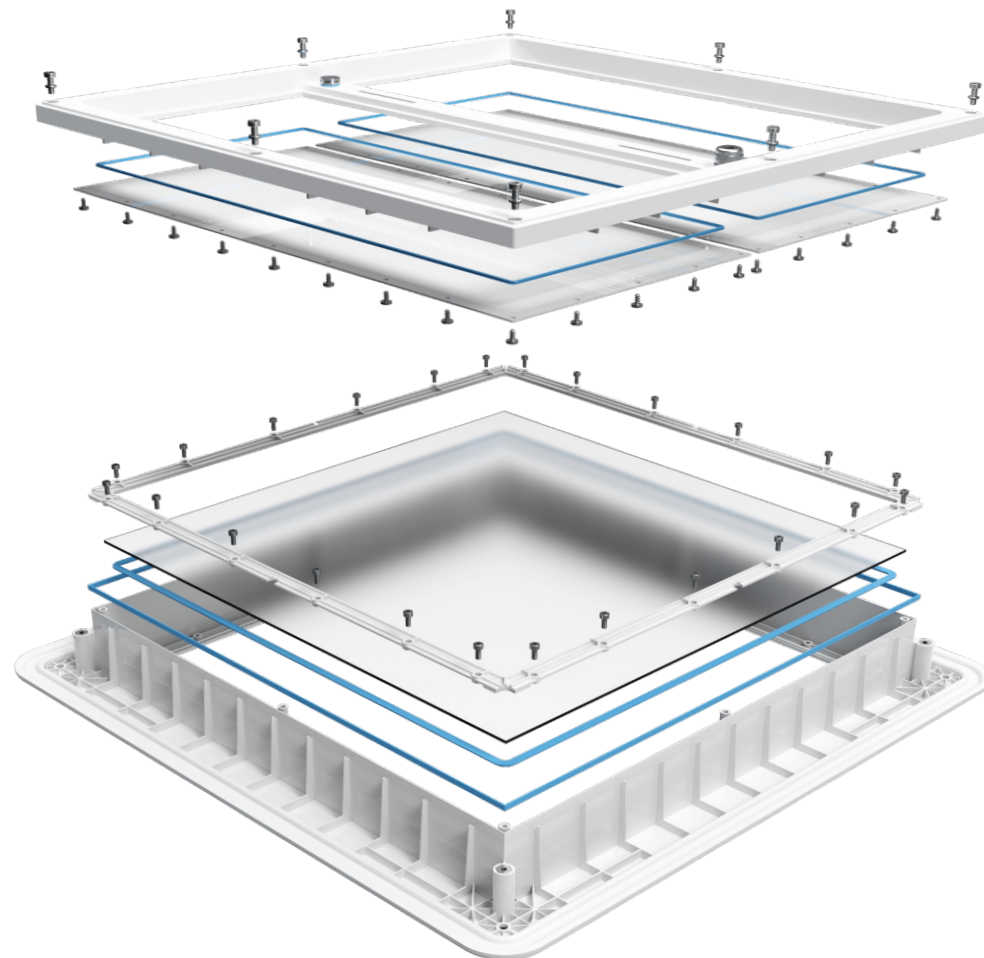
Soffito is now available with an emergency power pack, designed to provide 90mins of emergency power support at 30W with a minimum performance of 3,000lm (D32) Product reference: EM-IP65-30W.



ALWAYS DISCONNECT FROM MAINS BEFORE UNDERTAKING MAINTENANCE.

LENS REPLACEMENT

Soffito is fully serviceable including the lens material. To replace lens disconnect from mains and undo the screws as shown, set top aside, being careful to protect the LED arrays from contact with contaminants or hard surfaces. Carefully remove the 24 screws which maintain pressure on the lens frame - remove and insert.



NOTE:

Please pay careful attention to the LED Array as acid or grease from fingers can damage the product and could effect warranty.

ALWAYS DISCONNECT FROM MAINS BEFORE UNDERTAKING MAINTENANCE.

