

ShortBay Specifier Series

PRODUCT	PERFORMANCE	AMBIENT	DRIVER	INRUSH	MAX PSU	WARRANTY
Model Number *	Output Power Efficiency	Min Max°	Function	Amps	Type C Breaker	24/7 @ max (Ta)
4 Lite Bar						
SB4-HE-XYX-180W-ND -(R)	25,200lm 180W 140lm/W	-40°C 50°C	Non Dim	65A	7 @ 230 Vac	5 YRS
SB4-HE-XYX-180W-DM -(R)	25,200lm 180W 140lm/W	-40°C 50°C	0-10V	65A	7 @ 230 Vac	5 YRS
SB4-HE-XYX-180W-ZB -(R)	25,200lm 180W 140lm/W	-40°C 50°C	0-10V	65A	7 @ 230 Vac	5 YRS
SB4-HE-XYX-180W-DA -(R)	25,200lm 180W 140lm/W	-40°C 50°C	DALI	60A	6 @ 230 Vac	5 YRS
5 Lite Bar						
SB5-HE-XYX-220W-ND -(R)	30,800lm 220W 140lm/W	-40°C 50°C	Non Dim	75A	4 @ 230 Vac	5 YRS
SB5-HE-XYX-220W-DM -(R)	30,800lm 220W 140lm/W	-40°C 50°C	0-10V	75A	4 @ 230 Vac	5 YRS
SB5-HE-XYX-220W-ZB -(R)	30,800lm 220W 140lm/W	-40°C 50°C	0-10V	75A	4 @ 230 Vac	5 YRS
SB5-HE-XYX-220W-DA -(R)	30,800lm 220W 140lm/W	-40°C 50°C	DALI	60A	6 @ 230 Vac	5 YRS
SB5-HP-XYX-220W-ND -(R)	33,000lm 220W 150lm/W	-40°C 50°C	Non Dim	75A	4 @ 230 Vac	5 YRS
SB5-HP-XYX-220W-DM -(R)	33,000lm 220W 150lm/W	-40°C 50°C	0-10V	75A	4 @ 230 Vac	5 YRS
SB5-HP-XYX-220W-ZB -(R)	33,000lm 220W 150lm/W	-40°C 50°C	0-10V	75A	4 @ 230 Vac	5 YRS
SB5-HP-XYX-220W-DA -(R)	33,000lm 220W 150lm/W	-40°C 50°C	DALI	60A	6 @ 230 Vac	5 YRS

(X) Correlated Colour Temperature options include: 4000°K (4) | 5000°K (5) | 6000°K (6)

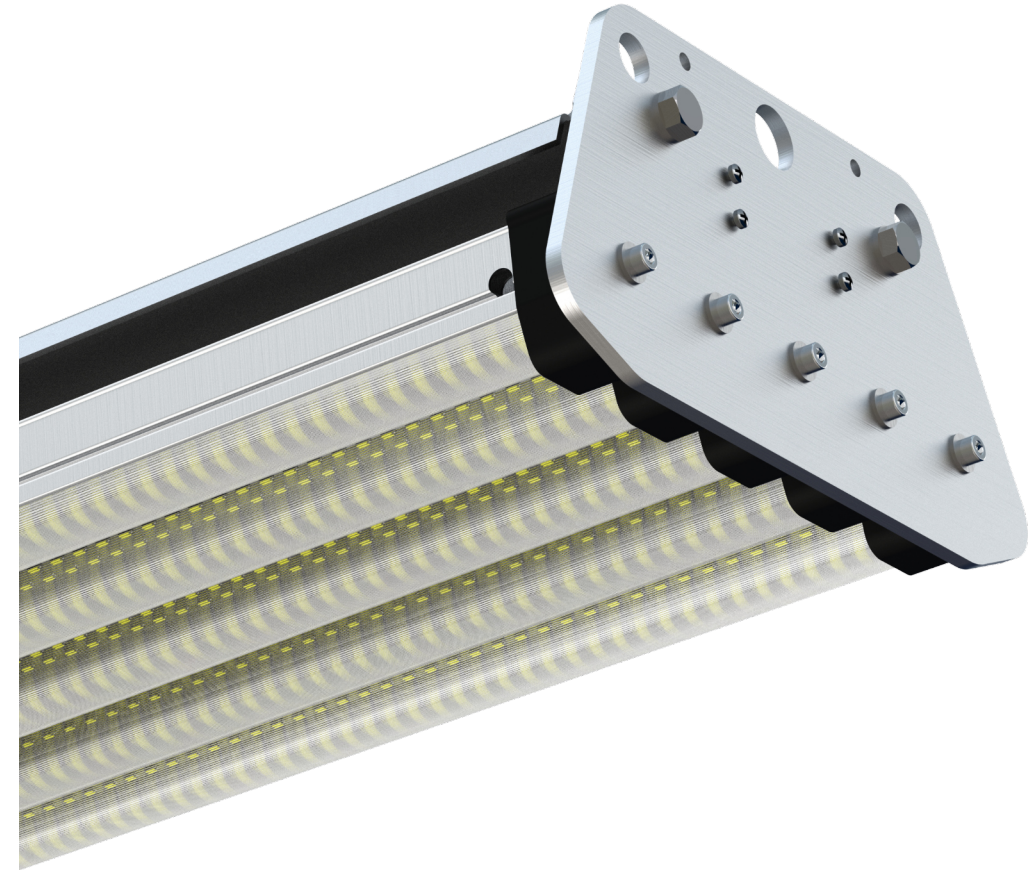
(YY) Ra (CRI) Options include Ra85 (85), Ra95. (95) Example: 5,000k Ra85, XYX = 585

-(R) When reflectors* are required add -R, to end of standard code, blank when not required.

ND Non dimming (Vo to reduce output) | DM 1-10V Dimming | ZB 1-10V Dimming (Excludes sensor)* | DA DALI

Isollux™

ShortBay Specifier Series



*High radiant temperatures or unexpected heat sources can potentially damage or significantly impair the performance of the luminaire. Please contact Isollux prior to installation if further information is required.

ISO-SB-INS-0721

Thank you for selecting the Isollux for your LED lighting Solution. At Isollux, we are dedicated to ensuring our products are designed to meet the challenges of commercial applications. Visit our website to discover more about this and other Isollux products.

IMPORTANT READ BEFORE INSTALLING

This product is only suitable for installation by a qualified electrical contractor. For information regarding this product or if you have any questions relating to its use, please contact Isollux LED Ltd. before attempting to install the product. It is the installer's responsibility to ensure the hanging point is suitable for the load.

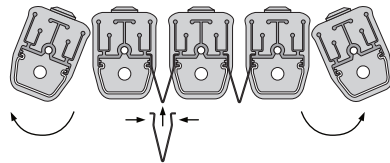
INSTALLATION INSTRUCTIONS

INSTRUCTIONS

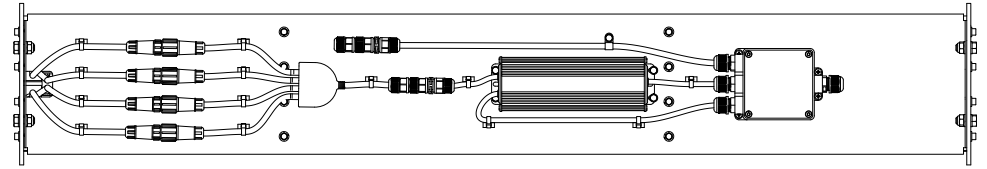
- Determine hanging position, suitable fixing point and height for the light fixture.
- Remove product from packaging, inspect for damage during transit.
- Contact Isollux or your solution provider immediately if damage is found.
- If specified, install reflectors after the product is suspended to avoid accidental damage.
- Ensure power is disconnected.
- Install light fitting.
- Check the lamp is aligned and suspended securely before proceeding to the next stage.
- An addition lanyard can be used for additional safety or where required for seismic constraints.
- It is the electrical contractors responsibility to ensure the installation meets all legal requirements.
- Connect in accordance with AS/NZS 3000.
- Connect to mains power via a plug or junction box.
- Phase (Brown), Neutral (Blue) and Earth (Green and Yellow).
- Energise circuit and check operation of light.

REFLECTORS

If reflectors are provided, these are easily installed between the bays by squeezing the "V" of the reflector together and easing into the gap. It is important to locate the top edge securely into the body of the heat sink (see below). Outer arrays can be rotated to broaden beam angle light output.



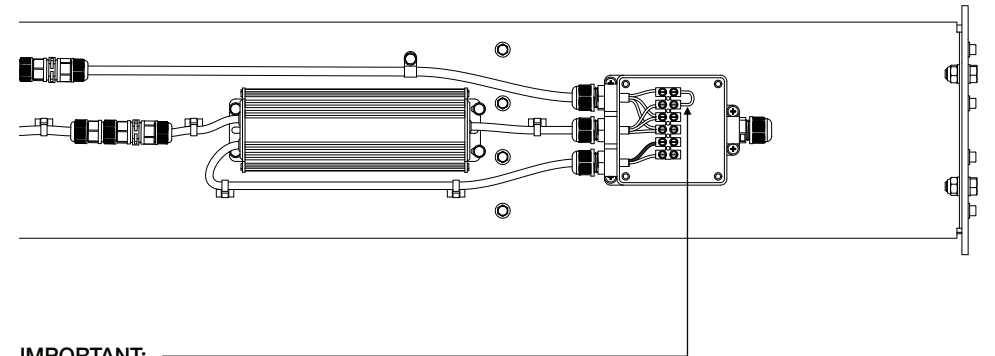
WIRING GUIDE



PLEASE NOTE:

An IP rated extension and cable gland is supplied for use with 0-10V sensors IR-TEC ZigBee sensors.

Use of unapproved third party sensors or controls to extend product function may affect the safety, reliability and performance of this product and is undertaken at the installers risk, if in doubt contact us directly for advice prior to installing third party controls.



IMPORTANT:

When connecting IR-TEC ZigBee Sensor (or certified mains switching alternative 0-10V sensor) first remove bridged connection. And connect in line with manufacturers instructions.

WARNING:

The ShortBay is supplied with an IP65 rated junction box to achieve a safe electrical connection it is essential that the power supply is connected in line with AS/NZS 3000 using the enclosure and with a cable that will allow a suitable seal.

If the power supply is not suitably connected the product will not meet IP65 status and should be considered for non wet/damp environments to IP20 only.

Any alterations or additions to the electrical circuits must be undertaken by a certified electrical contractor using equipment that meets the regional requirements for AU/NZS certification including electrical safety and EMC.