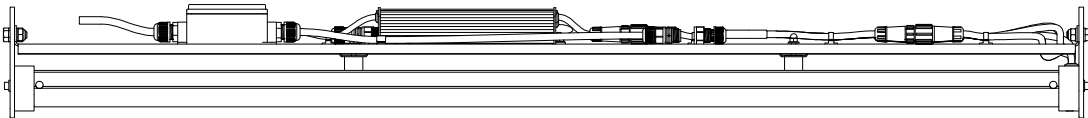
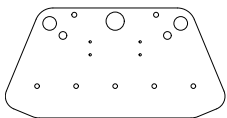
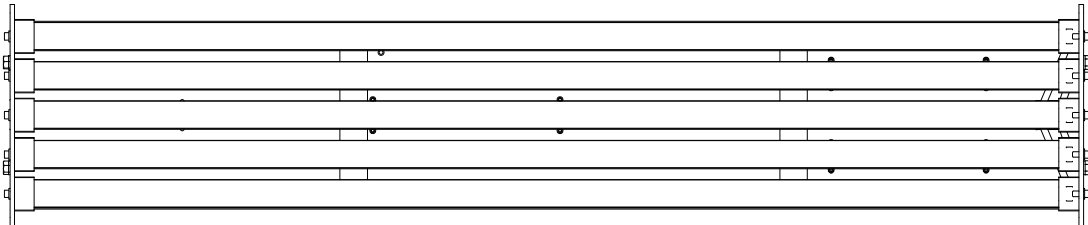
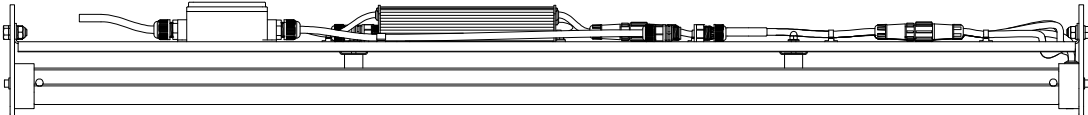
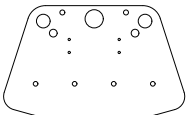
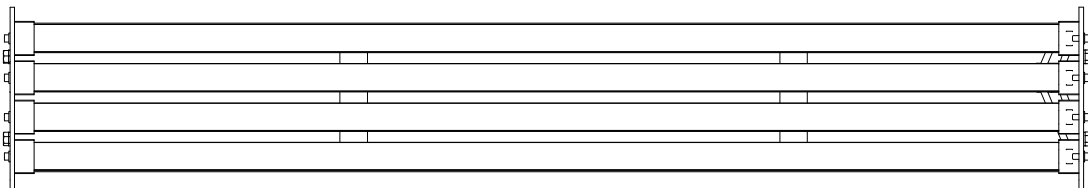




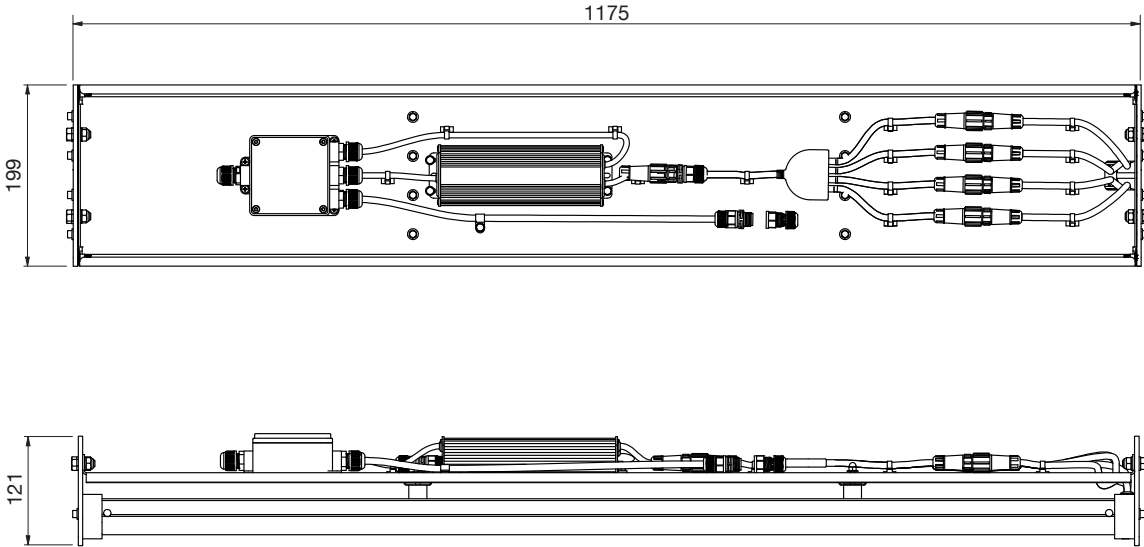
Intelligent Lighting Solutions



Specifier Series | **ShortBay**

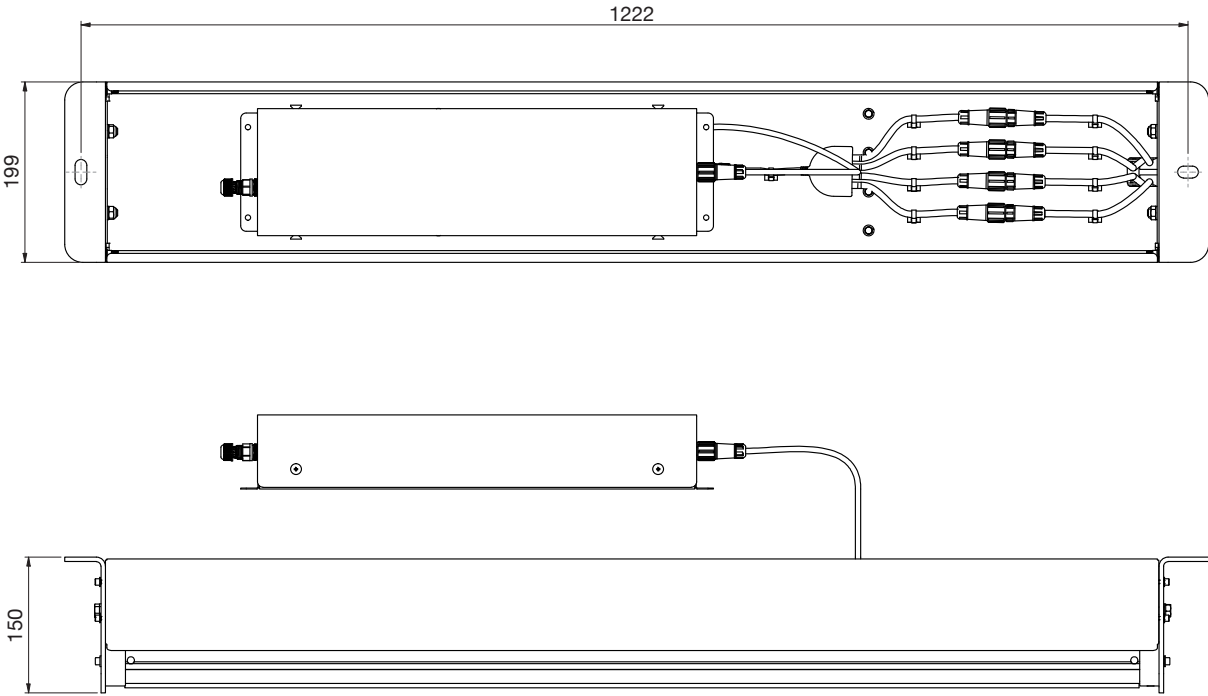
# SB4 Suspension Mount

---

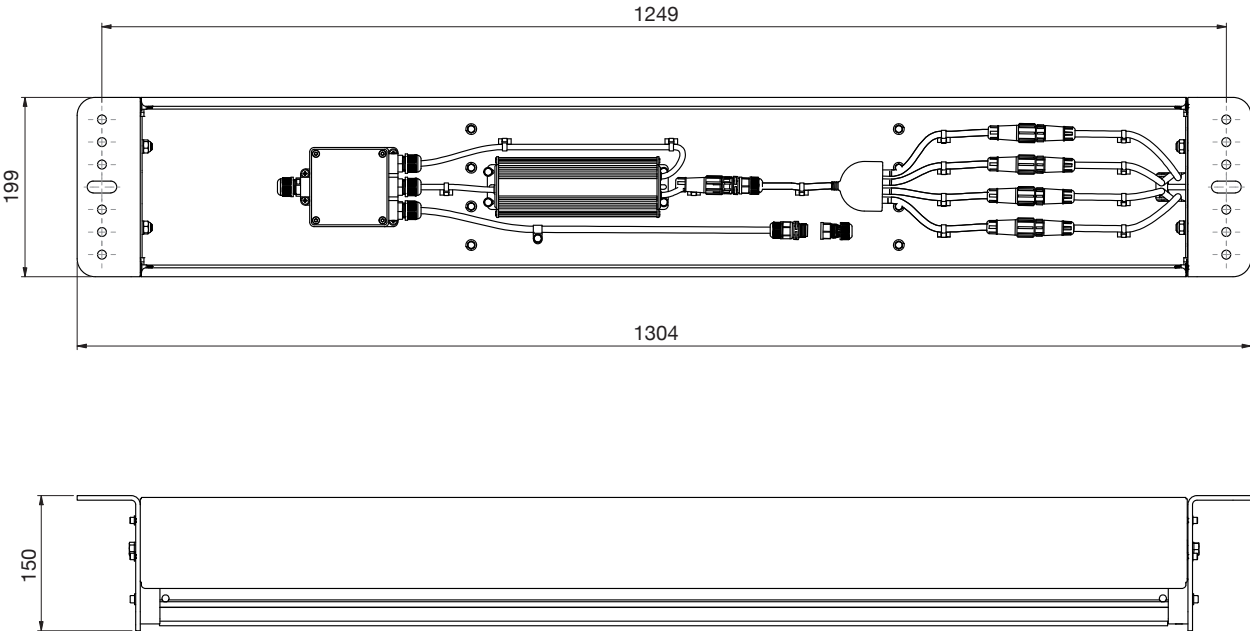


# CMR4 Blast Freezer Mount

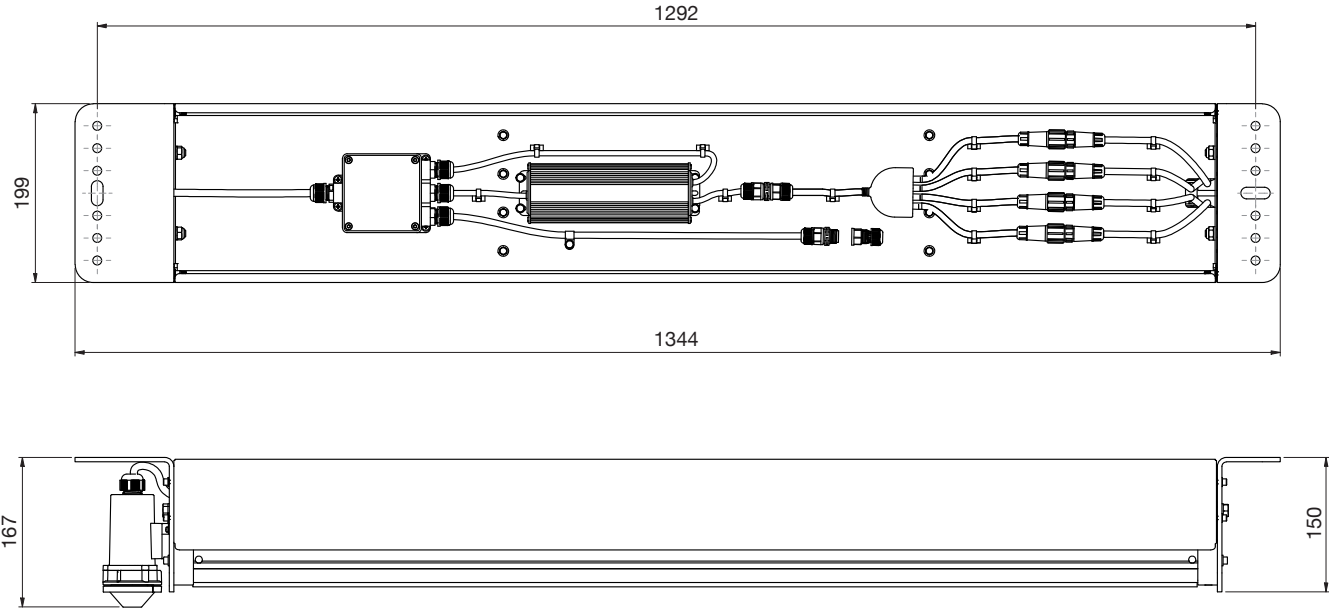
---



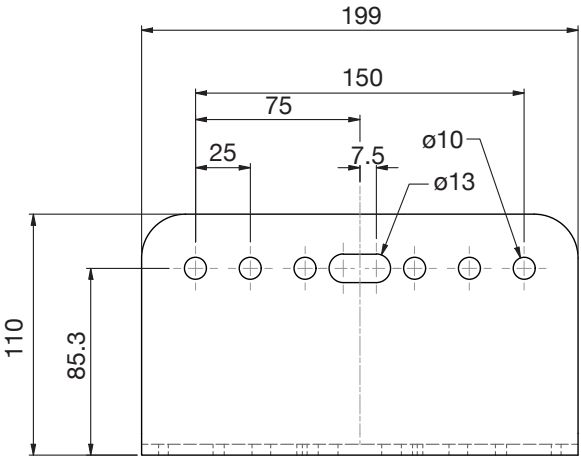
# CMS4 Surface Mount



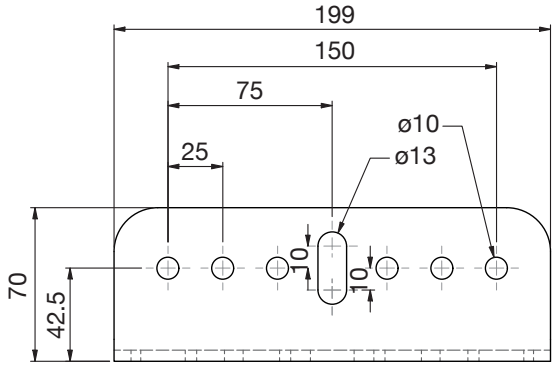
# CMZ4 Surface Mount for ZB Sensor



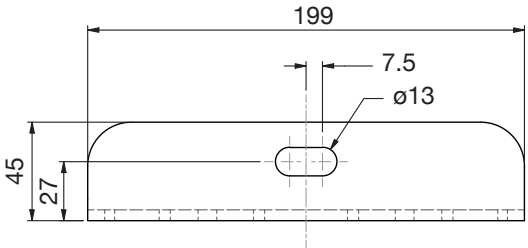
# CM(X)4 End Plates



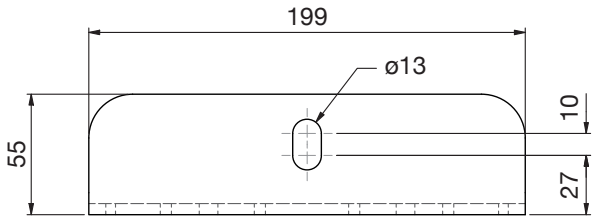
A



B



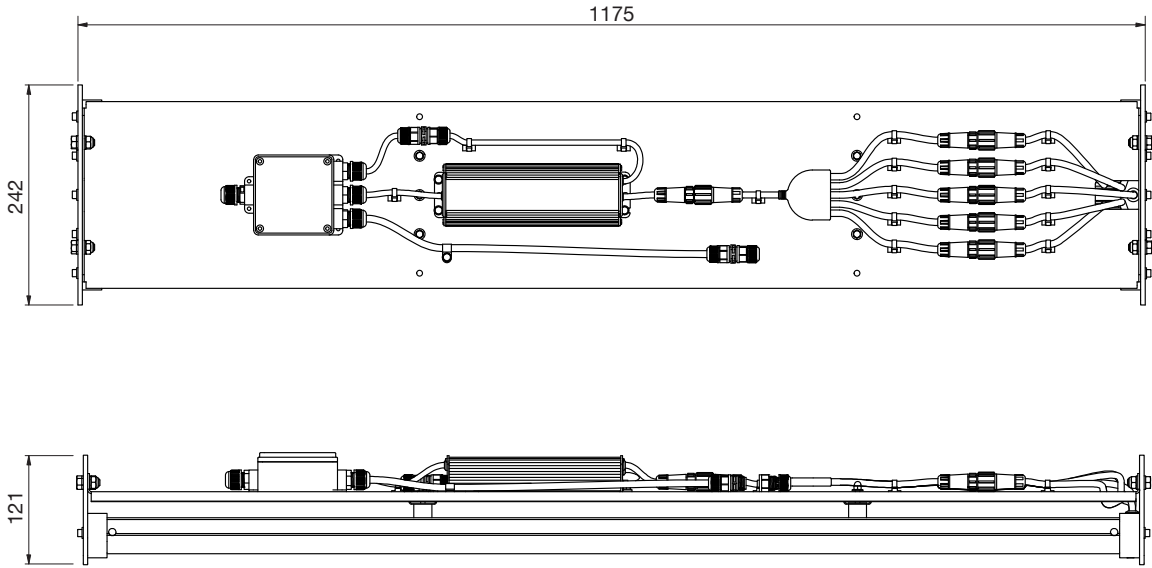
C



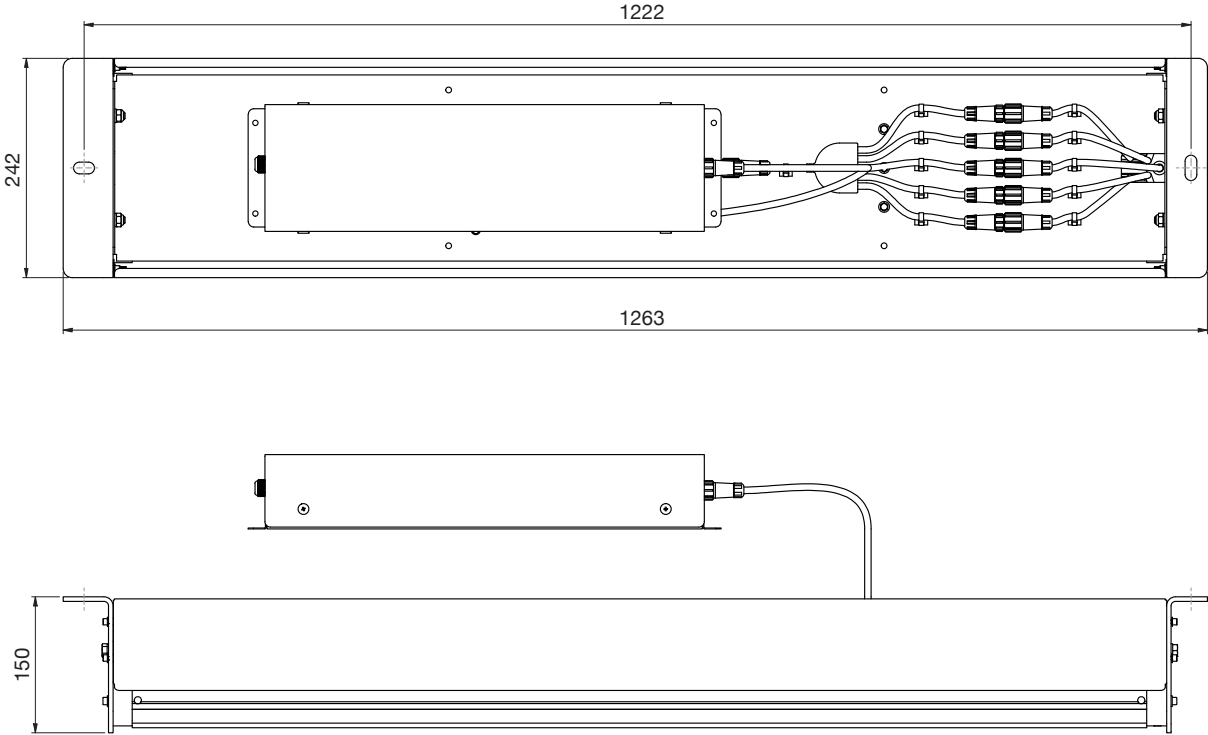
D

MOUNT KIT	DESCRIPTION
CMR4	Plates C + D
CMS4	Plates B + B
CMZ4	Plates A + B

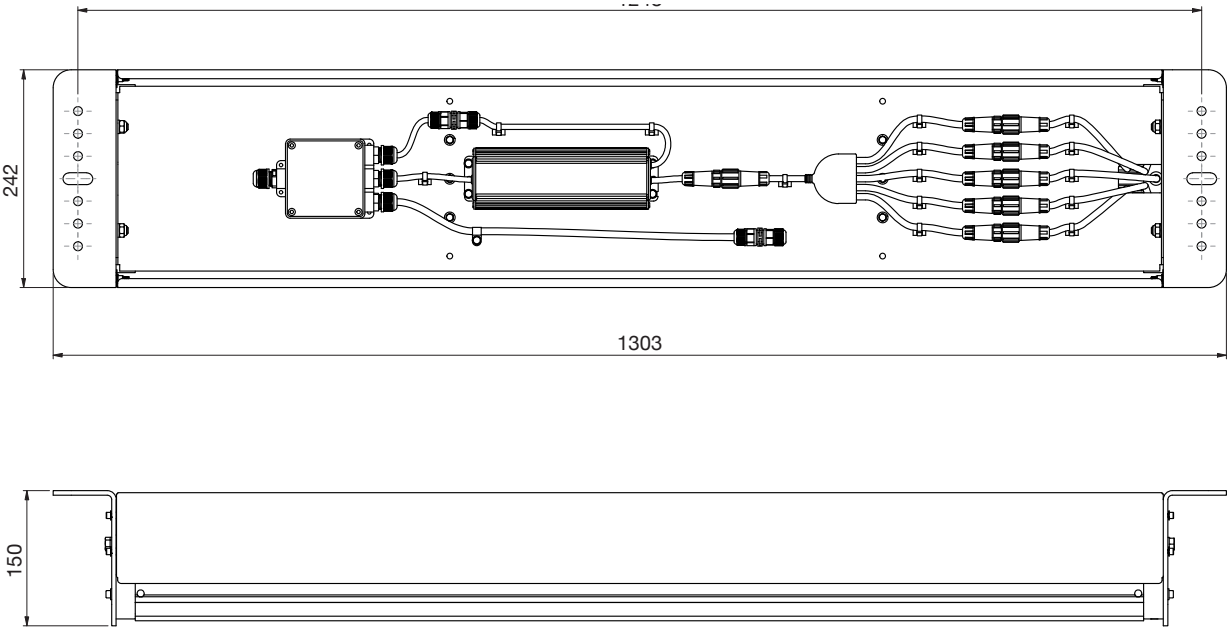
# SB5 Suspension Mount



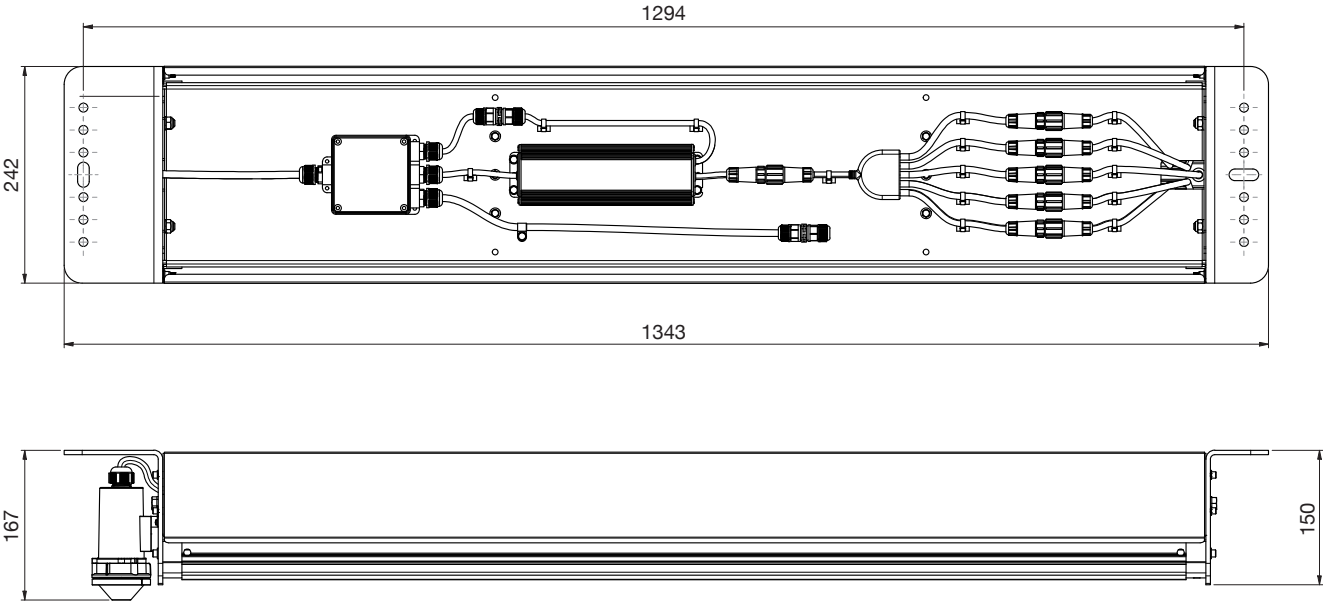
# CMR5 Blast Freezer Mount



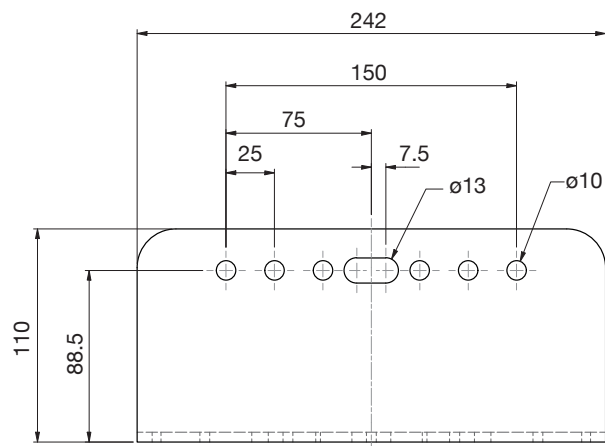
# CMS5 Surface Mount



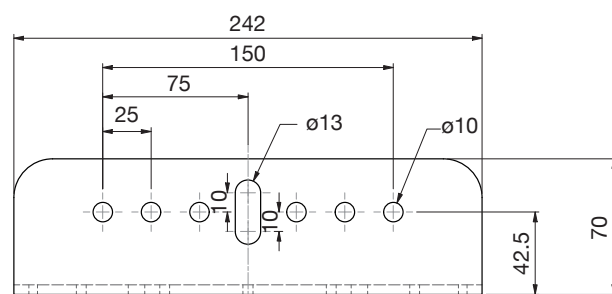
# CMZ5 Surface Mount for ZB Sensor



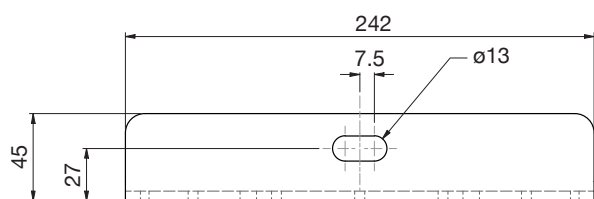
# CM(X)5 End Plates



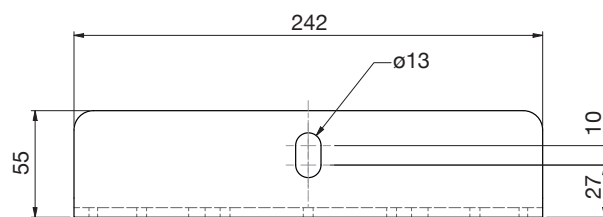
A



B



C



D

MOUNT KIT	DESCRIPTION
CMR5	Plates C + D
CMS5	Plates B + B
CMZ5	Plates A + B



**Contact: Chris Wheatley**

Mobile: + 64 21 343 456

Telephone: + 64 9 446 0822

E.mail: [chris.wheatley@isollux.com](mailto:chris.wheatley@isollux.com)

Regional Authorised Global Partners can be found in the following locations

Sydney – Australia | Fresno – USA | Hong Kong – China | Jaingxi – China