

## ShortBay CMS Specifier Series

PRODUCT	PERFORMANCE			AMBIENT		DRIVER	INRUSH	MAX PSU	WARRANTY
Model Number *	Output	Power	Efficiency	Min	Max°	Function	Amps	Type C Breaker	24/7 @ max (Ta)
<b>4 Lite Bar</b>									
CMS4-HE-XYX-180W-ND -(R)	25,200lm	180W	140lm/W	-40°C	30°C	Non Dim	65A	7 @ 230 Vac	5 YRS
CMS4-HE-XYX-180W-DM -(R)	25,200lm	180W	140lm/W	-40°C	30°C	0-10V	65A	7 @ 230 Vac	5 YRS
CMS4-HE-XYX-180W-DA -(R)	25,200lm	180W	140lm/W	-40°C	30°C	DALI	60A	6 @ 230 Vac	5 YRS
<b>5 Lite Bar</b>									
CMS5-HE-XYX-220W-ND -(R)	30,800lm	220W	140lm/W	-40°C	30°C	Non Dim	75A	4 @ 230 Vac	5 YRS
CMS5-HE-XYX-220W-DM -(R)	30,800lm	220W	140lm/W	-40°C	30°C	0-10V	75A	4 @ 230 Vac	5 YRS
CMS5-HE-XYX-220W-DA -(R)	30,800lm	220W	140lm/W	-40°C	30°C	DALI	60A	6 @ 230 Vac	5 YRS
CMS5-HP-XYX-220W-ND -(R)	33,000lm	220W	150lm/W	-40°C	30°C	Non Dim	75A	4 @ 230 Vac	5 YRS
CMS5-HP-XYX-220W-DM -(R)	33,000lm	220W	150lm/W	-40°C	30°C	0-10V	75A	4 @ 230 Vac	5 YRS
CMS5-HP-XYX-220W-DA -(R)	33,000lm	220W	150lm/W	-40°C	30°C	DALI	60A	6 @ 230 Vac	5 YRS

(X) Correlated Colour Temperature options include: 4000°K (4) | 5000°K (5) | 6000°K (6)

(YY) Ra (CRI) Options include Ra85 (85), Ra95 (95) Example: 5,000k Ra85, XYX = 585

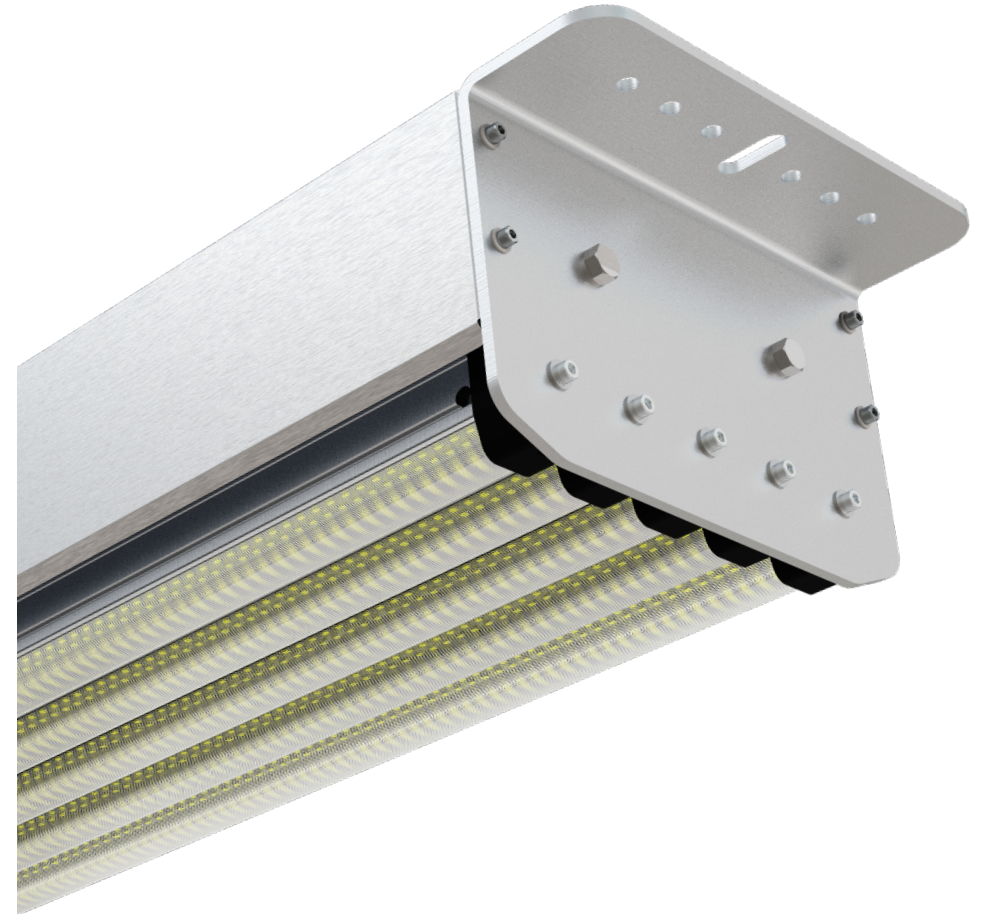
-(R) When reflectors\* are required add -R, to end of standard code, blank when not required.

ND Non dimming (Vo to reduce output) | DM 1-10V Dimming | DA DALI

# Isollux™

## ShortBay CMS Specifier Series

Surface / Purlin Mount with Side Flashing and Internal Driver



\*High radiant temperatures or unexpected heat sources can potentially damage or significantly impair the performance of the luminaire. Please contact Isollux prior to installation if further information is required.

ISO-SB-CMS-INS-0721

## IMPORTANT READ BEFORE INSTALLING

This product is only suitable for installation by a qualified electrical contractor. For information regarding this product or if you have any questions relating to its use, please contact Isollux LED Ltd. before attempting to install the product. It is the installer's responsibility to ensure the hanging point is suitable for the load.

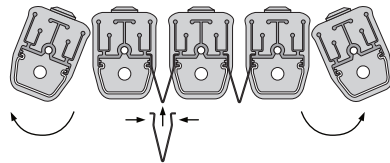
## INSTALLATION INSTRUCTIONS

### INSTRUCTIONS

- Determine fixing position, suitable fixing point and method.
  - Remove product from packaging, inspect for damage during transit.
  - Contact Isollux or your solution provider immediately if damage is found.
  - If specified, install reflectors after the product is suspended to avoid accidental damage.
  - Ensure power is disconnected prior to installing light fixture.
  - The CM Series can be fixed with a bolt through suitable substrates or to beams or purlins using suitable U Bolt\*
  - Check the lamp is aligned and suspended securely before proceeding to the next stage.
  - The side panel of the CM series may be removed to allow access to fly lead during installation.
  - It is the electrical contractors responsibility to ensure the installation meets all legal requirements.
  - Connect in accordance with AS/NZS 3000.
  - Connect to mains power via a plug or junction box.
  - Phase (Brown), Neutral (Blue) and Earth (Green and Yellow).
  - Energise circuit and check operation of light.
- \* **Note:** Bolts are not supplied as they vary between installation types and building structures

## REFLECTORS

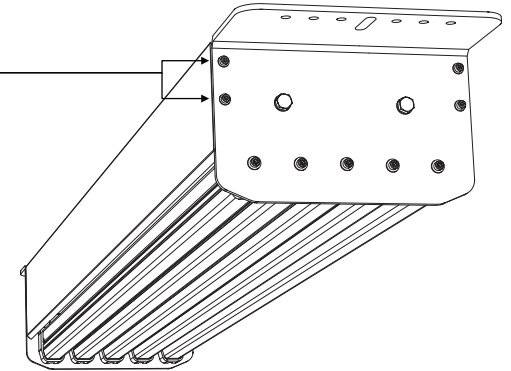
If reflectors are provided, these are easily installed between the bays by squeezing the "V" of the reflector together and easing into the gap. It is important to locate the top edge securely into the body of the heat sink (see below). Outer arrays can be rotated to broaden beam angle light output.



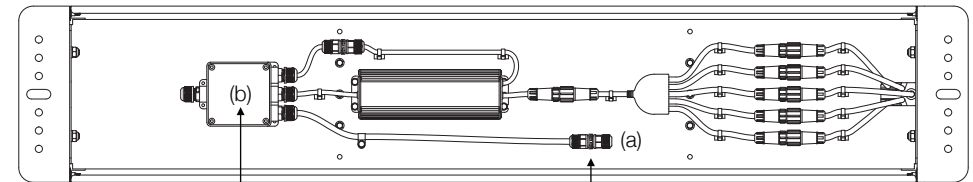
## WIRING GUIDE

### ACCESS TO WIRING:

Power can be connected via the IP65 barrel connector once the product is fixed in situ with limited access to other components by removing the side flashing (two hex head bolts at either end). Make sure to support the flashing and remove carefully.



### PLEASE NOTE:



DALI may be connected using the IP65 Junction Box or via a five way barrel connection on request.

An IP65 rated barrel connector and fly lead is provided for connection to mains supply.

### WARNING:

The ShortBay CMS is supplied with a fly lead with IP65 barrel connector (a) and IP65 Junction Box (b) and to achieve a safe electrical connection it is essential that the power supply is connected in line with AS/NZS 3000 using the enclosure and with a cable that will allow a suitable seal.

If the power supply is not suitably connected the product will not meet IP65 status and should be considered for non wet/damp environments to IP20 only.

Any alterations or additions to the electrical circuits must be undertaken by a certified electrical contractor using equipment that meets the regional requirements for AU/NZS certification including electrical safety and EMC.