

Hanging Instructions

STEP 1

Secure cable to appropriate structure, taking care not to stretch or pinch the cable as this may weaken or damage the cable.

STEP 2

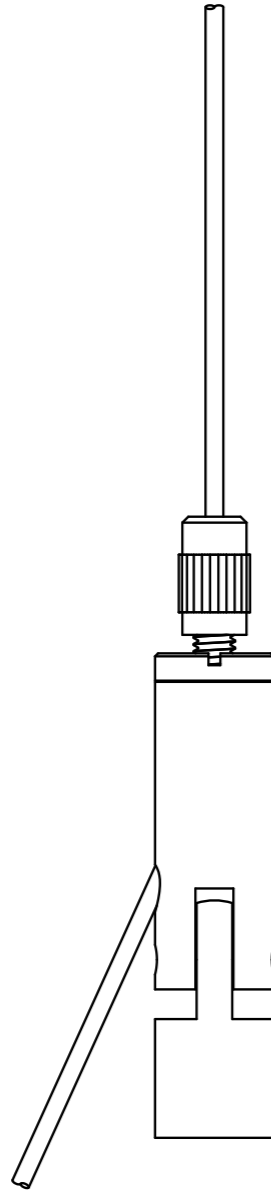
Undo screw to loosen wire and pull through spigot, adjusting to the correct height.

STEP 3

If cutting excess cable, care must be taken to wrap or swage the end to prevent fraying or weakening cable.

NOTE:

Cable should be inspected regularly to ensure they are in good condition and suitable to support the load. This is especially important with Isollux LED light fixtures where the light fixture is specified for maintenance free extended life compared to traditional light fixtures.



PF HighBay Specifier Series

PRODUCT	PERFORMANCE	AMBIENT	DRIVER	INRUSH	MAX PSU	WARRANTY
Model Number	Output Power Efficiency	Min Max	Function	Amps	Type C Breaker	24/7 @ max (Ta)
PF 150W						
PF150-HE-XY-150W-ND	22,500lm 150W 150lm/W	0°C 50°C	Non Dim	65A	7 @ 230 Vac	5 YRS
PF150-HE-XY-150W-DM	22,500lm 150W 150lm/W	0°C 50°C	0-10V	65A	7 @ 230 Vac	5 YRS
PF150-HE-XY-150W-ZB	22,500lm 150W 150lm/W	0°C 50°C	0-10V	65A	7 @ 230 Vac	5 YRS
PF150-HE-XY-150W-DA	22,500lm 150W 150lm/W	0°C 50°C	DALI	60A	6 @ 230 Vac	5 YRS
PF 180W						
PF180-HE-XY-180W-ND	27,000lm 180W 150lm/W	0°C 50°C	Non Dim	65A	7 @ 230 Vac	5 YRS
PF180-HE-XY-180W-DM	27,000lm 180W 150lm/W	0°C 50°C	0-10V	65A	7 @ 230 Vac	5 YRS
PF180-HE-XY-180W-ZB	27,000lm 180W 150lm/W	0°C 50°C	0-10V	65A	7 @ 230 Vac	5 YRS
PF180-HE-XY-180W-DA	27,000lm 180W 150lm/W	0°C 50°C	DALI	60A	6 @ 230 Vac	5 YRS

(X) Correlated Colour Temperature options include: 4000°K (4) | 5000°K (5) | 6000°K (6)

(YY) Ra (CRI) Options include Ra85 (85), Ra95. (95) Example: 5,000k Ra85, XY- = 585

ND Non dimming (Vo to reduce output) | DM 1-10V Dimming | ZB 1-10V Dimming (Excludes sensor)* | DA DALI

isollux™

PF HighBay | Specifier Series



IMPORTANT READ BEFORE INSTALLING

This product is only suitable for installation by a qualified electrical contractor.
For information regarding this product or if you have any questions relating to its use,
please contact Isollux LED Ltd before attempting to install the product.

It is the installer's responsibility to ensure the fixing point is suitable for the load.
Cover any exposed insulation with suitable flashings before installation.

INSTALLATION INSTRUCTIONS

IN THE BOX

- Isollux PF HighBay Series LED Array • 1.5m SAA Approved C14 Cable and Plug
- 2m Hanging Kit

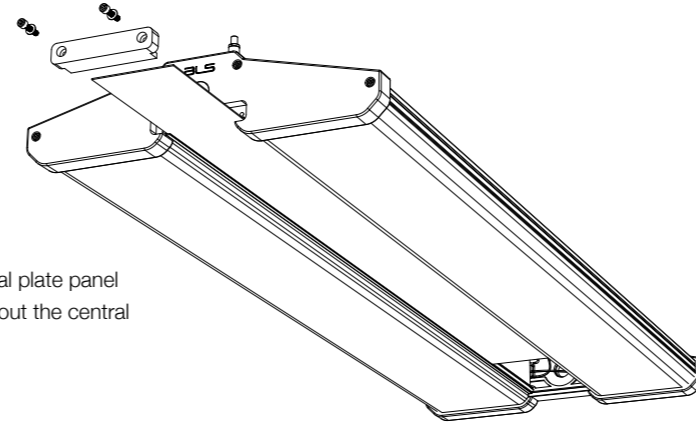
INSTRUCTIONS

- Carefully unpack the box and check contents for damage which may have occurred during shipping, ensuring there are no cracks or splits in the lens, or body which may compromise electrical safety. If damage is found contact the supplier or Isollux directly via www.isollux.co.nz
- Secure cable to appropriate structure, taking care not to stretch or pinch the cable as this may weaken or damage the cable.
- Undo screw to loosen wire and pull through spigot, adjusting to the correct height.
- If cutting excess cable, care must be taken to wrap or swage the end to prevent fraying or weakening cable
- Cable should be inspected regularly to ensure they are in good condition and suitable to support the load. This is especially important with Isollux LED light fixtures where the light fixture is specified for maintenance free extended life compared to traditional light fixtures.
- Ensure connection and installation are in line with the essential safety requirements of AS/NZS 3000.
- Ensure wiring is disconnected from mains supply before attempting to install the product.
- Connect to mains power via a plug or junction box.
- Phase (Brown), Neutral (Blue) and Earth (Green and Yellow).
- Energise circuit and check operation of light.

IMPORTANT NOTE:

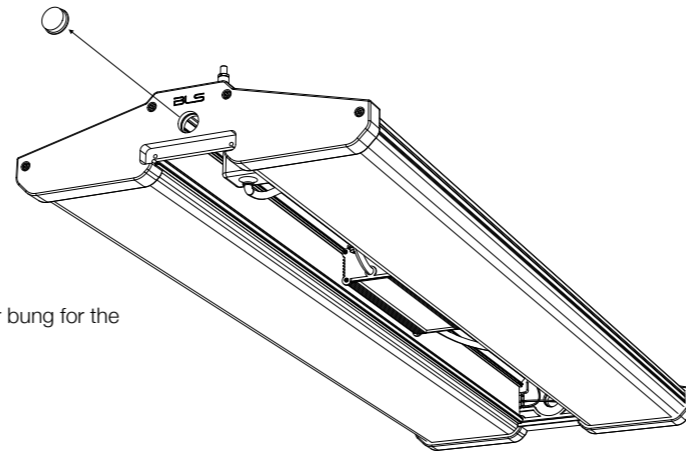
Follow the instructions carefully and wire in accordance with AS/NZS3000 using connectors and enclosures suitable for the electrical load and IPXX rating.

ACCESSORY ATTACHMENT INSTRUCTIONS



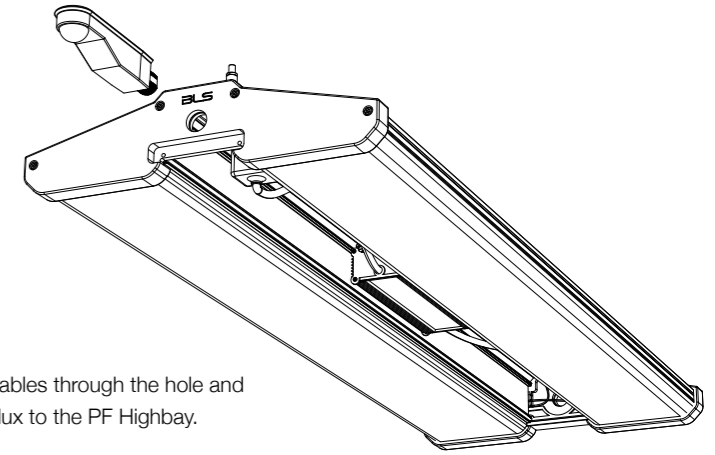
STEP 1

Unscrew the central plate panel
and carefully slide out the central
console cover.



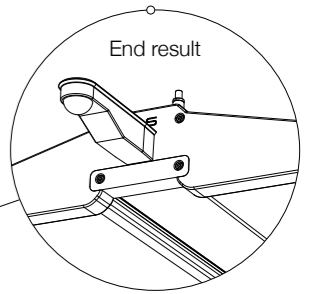
STEP 2

Remove the circular bung for the
motion/lux sensor.

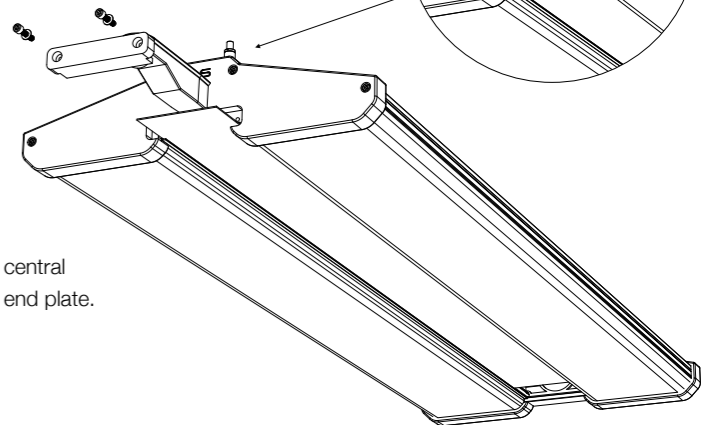


STEP 3

Insert the sensor cables through the hole and
attach the motion/lux to the PF Highbay.



End result



STEP 4

Carefully insert the central
console cover and end plate.

NOTE:

Please pay careful attention to the LED Array as acid or grease from fingers
can damage the product and could effect the warranty.

