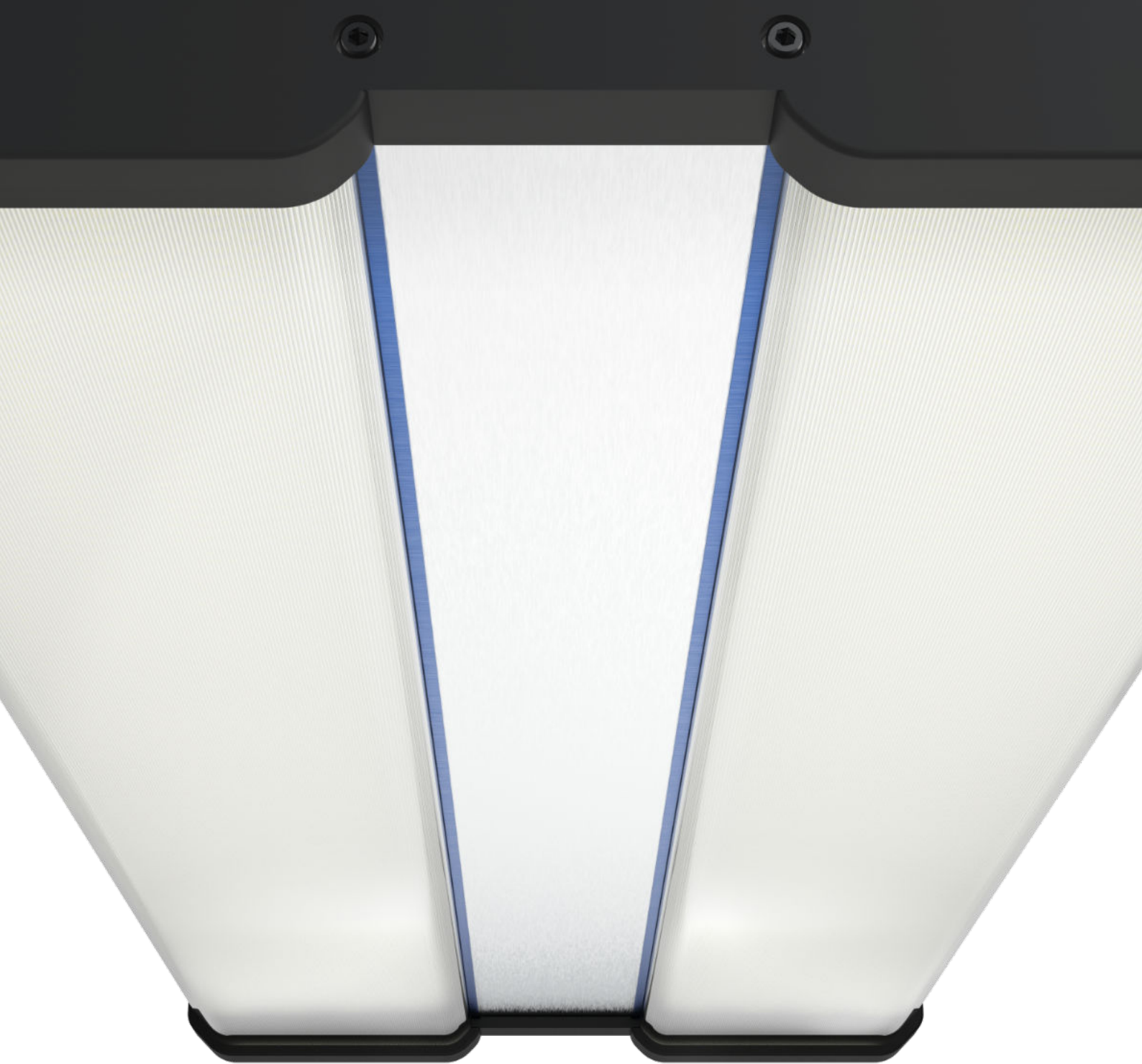


isollux™

Intelligent Lighting Solutions



Specifier Series | **PF HighBay**

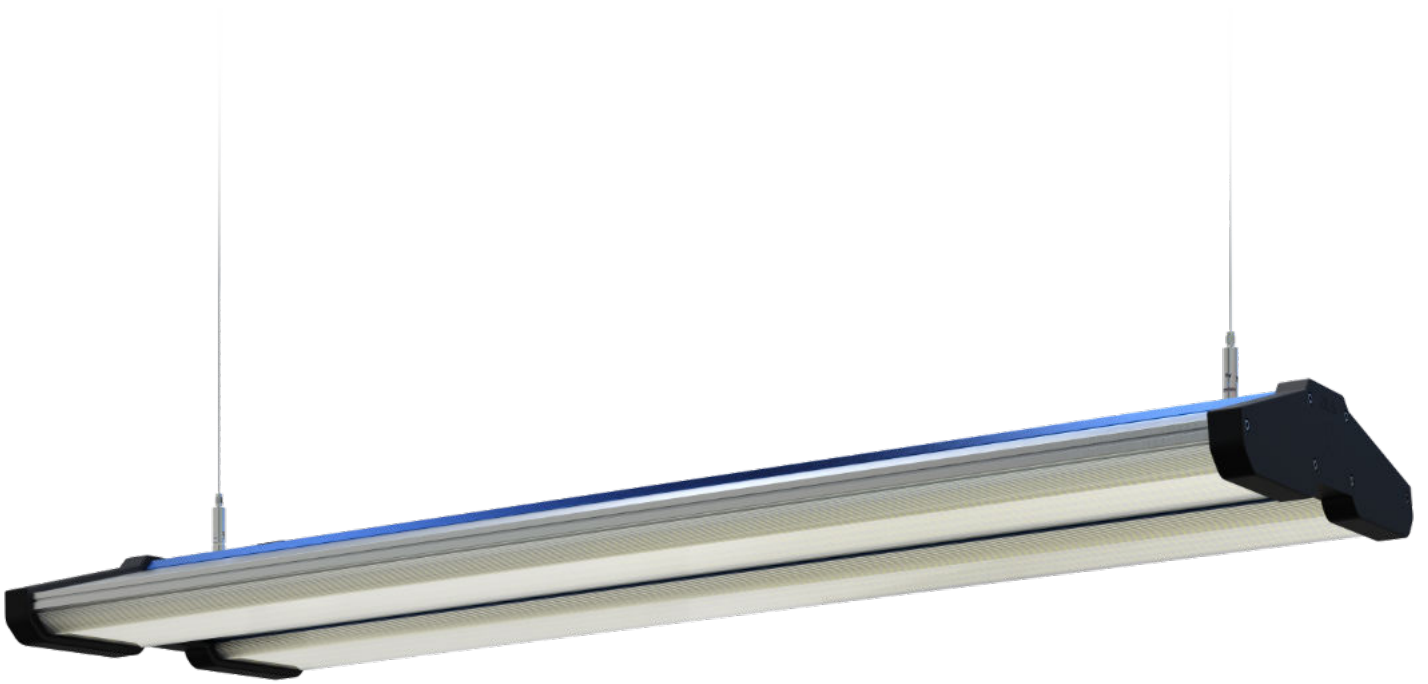


Designed for commercial, retail and industrial applications

The PF HighBay from Isollux delivers class leading performance with power options to suit a broad range of industrial and retail applications.

Its easy to specify and simple to install in a package that offers superb results with optional controls that refine functionality when required.





Robust and practical design, with an elegant aesthetic

The PF series, features a rigid, light weight, patented 'Aircell' aluminium extrusion. Light is delivered via eight high density LED arrays mounted either side of an isolated core containing the LED driver.

The result is a slim, elegant luminaire that delivers exceptional performance and reliability, class leading uniformity in a glare free format that is efficient, practical and refined.

Any colour you like, as long as it's...anodized

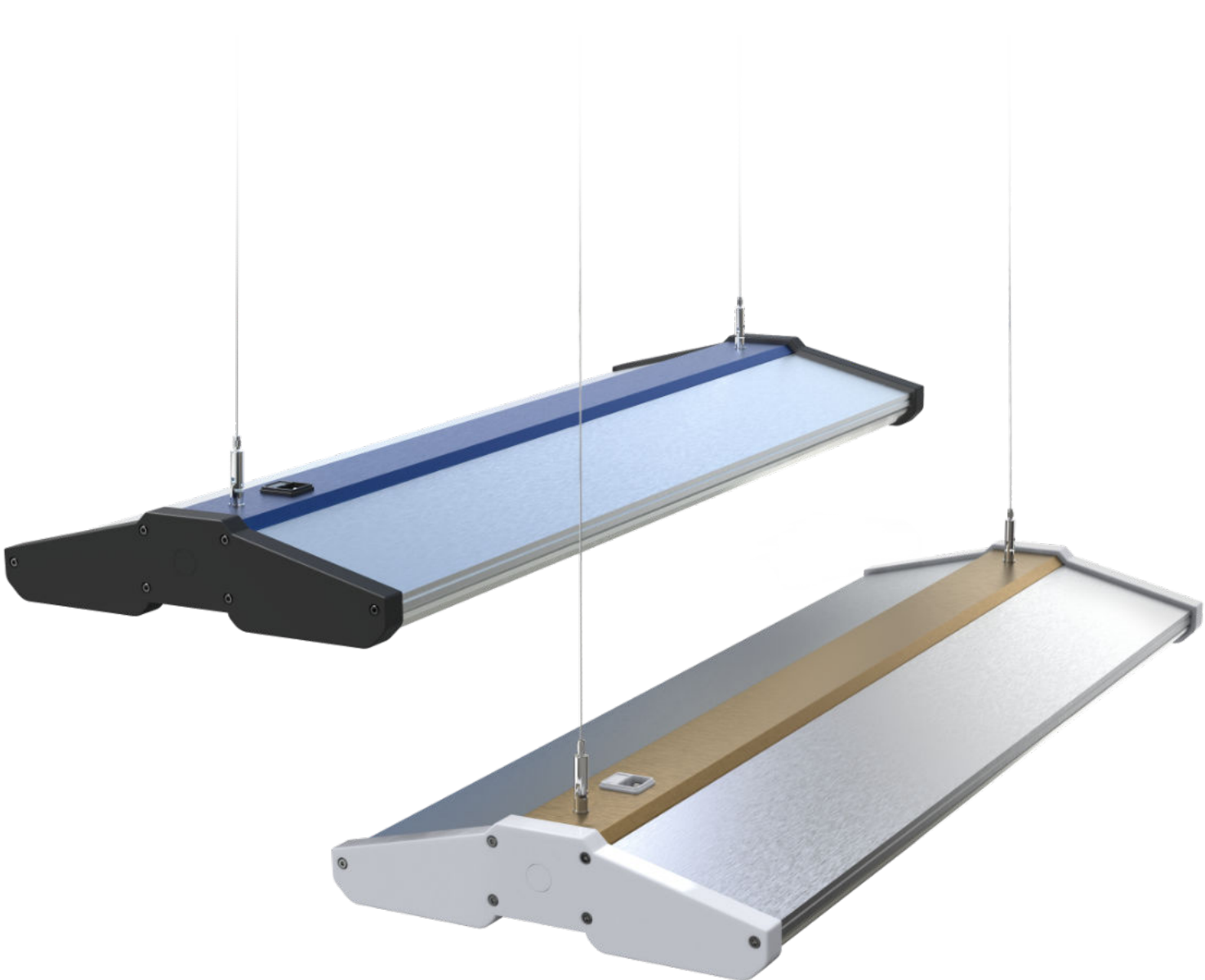
Available in single or two tone colours, from a broad range of anodized colours to suit your desired design aesthetic*.

*For custom runs talk to your Isollux Global Partner.



Optional white end caps for a lighter touch

Combine custom anodized colours with black or white end caps, C14 connectors, cables and plugs. to suit industrial or retail applications.





Outstanding performance with a luminaire built to last

The HE dual chip LED array delivers an unrivaled combination of efficiency and longevity with a blistering 145lm/W and over 195,000hrs to L85. Designed to support simple efficient driver upgrades over the long haul.

Alternatively, select the entry level UT LED array which delivers excellent performance and value for money.

PF180-UT

180W - 23,760lm*

Maintains lux levels and improves uniformity when replacing 300-450W MH or T5 fluorescent High Bay.

PF150-UT

150W - 20,700lm*

Maintains lux levels and improves uniformity when replacing 250-400W MH or T5 fluorescent High Bay.

PF180-HE

180W - 26,100lm*

Improves average lux levels and uniformity when replacing 300-500W MH or T5 fluorescent High Bay.

PF150-HE

150W - 22,500lm*

Improves average lux levels and uniformity when replacing 250-400W MH or T5 fluorescent High Bay.

Luminaire performance

UT Chipset

L70 - 65,000Hrs @ Ta 30°C

132lm/W Ra 85 R_{≥20} 5,000k

(TM-21 Forecast at LM80 9,000Hrs)

At ambient temperatures between 0 - 50°C

LED array includes 8 x PCB (1,536 PCS x 0.5W)

HE Chipset

L85 - 195,000Hrs @ Ta 30°C

145lm/W Ra 85 R_{≥20} 5,000k

(TM-21 Forecast at LM80 9,000Hrs)

At ambient temperatures between 0 - 50°C

LED array includes 8 x PCB (1,536 PCS x 0.5W)

* Nominal output (lux) at Ta 25°C, based on CCT 5,000K, Ra85, R9_{≥20}. (Ra95 multiplier 0.92)

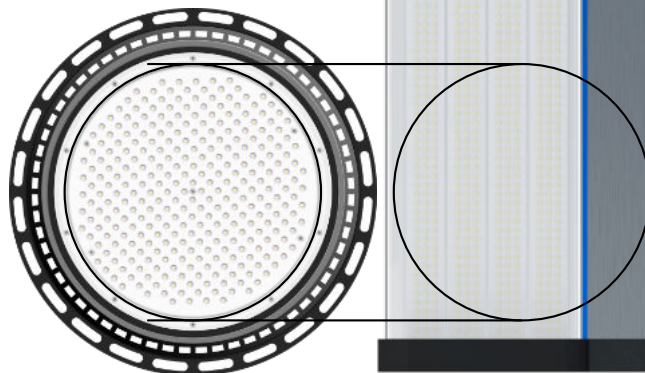


Safer workplace

The higher LED count, primary lens and larger surface area eliminates glare reducing the risk of lighting related accidents.

Concentrated, high power light sources suspended against dark backgrounds cause temporary or even permanent damage to the optic nerve. A light source should not look unnecessarily bright, it should provide ample illumination for the task without causing discomfort or after image.

Compare the surface area of a typical entry level LED fitting to the PF Series and difference is clear →

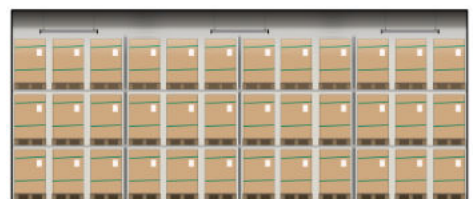




See all your stock all the time

The PF Series wide angle primary lens, eliminates pooling to deliver class leading uniformity, with outstanding results in aisles or open areas on both horizontal and vertical planes*. With optics that reduce fitting count with a wide distribution without compromising its low glare performance.

*For exceptionally tall and narrow aisles consider Isollux Short Bay with rotational hubs and reflectors: [isollux.com/shortbay](https://www.isollux.com/shortbay)



The wide angle lens of the PF Series minimises pooling between fixture and dark areas at the top of racking



Many LED high bay present light with significant drop off between fixtures and a dark background.

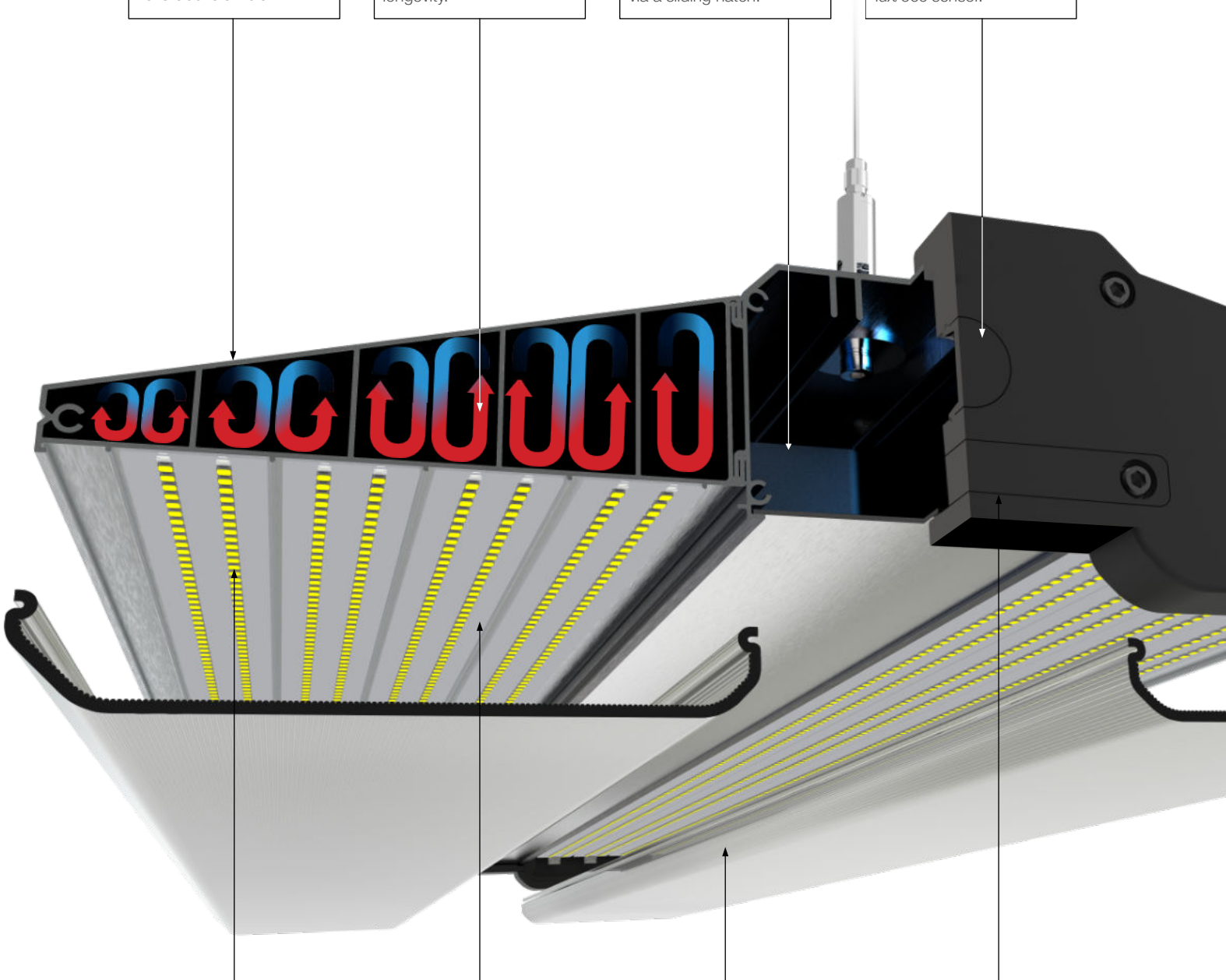
Efficient thermal management

The aero frame core of the light engines and isolation of the drivers thermal load is critical to maintaining the low operating temperature of the LED array at just 20°C above ambient.

The patented cellular design creates an opposing convection current, within each cell, drawing heat away from the center of the PCB Improving efficacy and longevity.

Thermally isolated from the LED the centre core, provides an enclosure for the electronics. It is easily accessed for long term maintenance or upgrades via a sliding hatch.

At each end a plate with two screws secures the sliding hatch, to provide easy access to the internal electronics. A circular plug allows for the addition of a lux/occ sensor.



The product features dual high density LED arrays, each with 768 individual UT or HE 2835 LEDs for a total of 1,536 LEDs operating at a fraction of their maximum capacity.

Each PCB is dipped and cured with a chemical and moisture resistant coating. Protecting the LED from contaminants such as sulphur, bromides and excess humidity.

The wrap around lenses are food grade, shatter proof impact resistant polycarbonate and provide physical protection to the LEDs, creating a glare free wide angle output.

A thickened plastic plate at either end, retains the components and provides protection against accidental impacts.

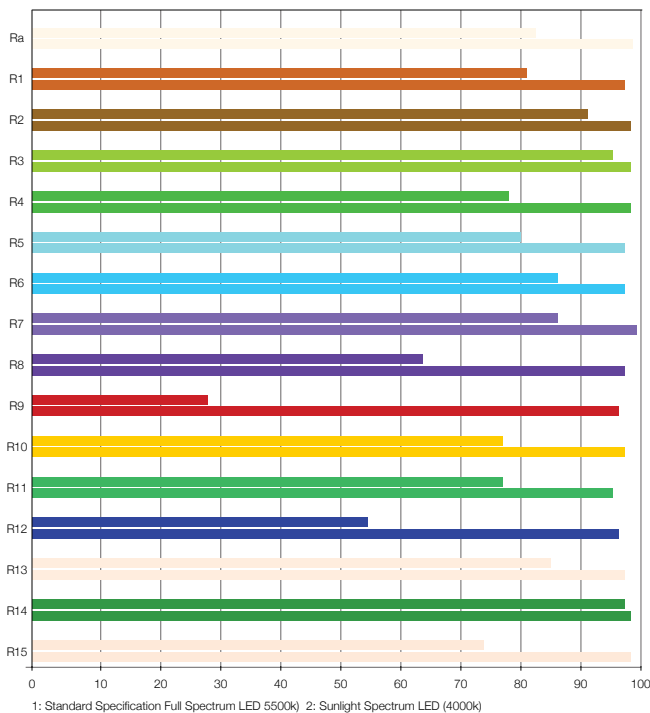
Full spectrum lighting

A productive working environment requires a high degree of visual acuity. Ensuring your lighting solution delivers a well balanced spectrum with positive R9 values and accurate colour rendering is fundamental to achieving this, whether your focus is driving sales or increasing workplace productivity.

The PF Series features a minimum Ra85 / R9 \geq 20 @ 5000k a rich spectrum, that reduces employee fatigue, ensures accuracy and efficiency when performing complex or repetitive tasks, especially for those working long hours or shifts.

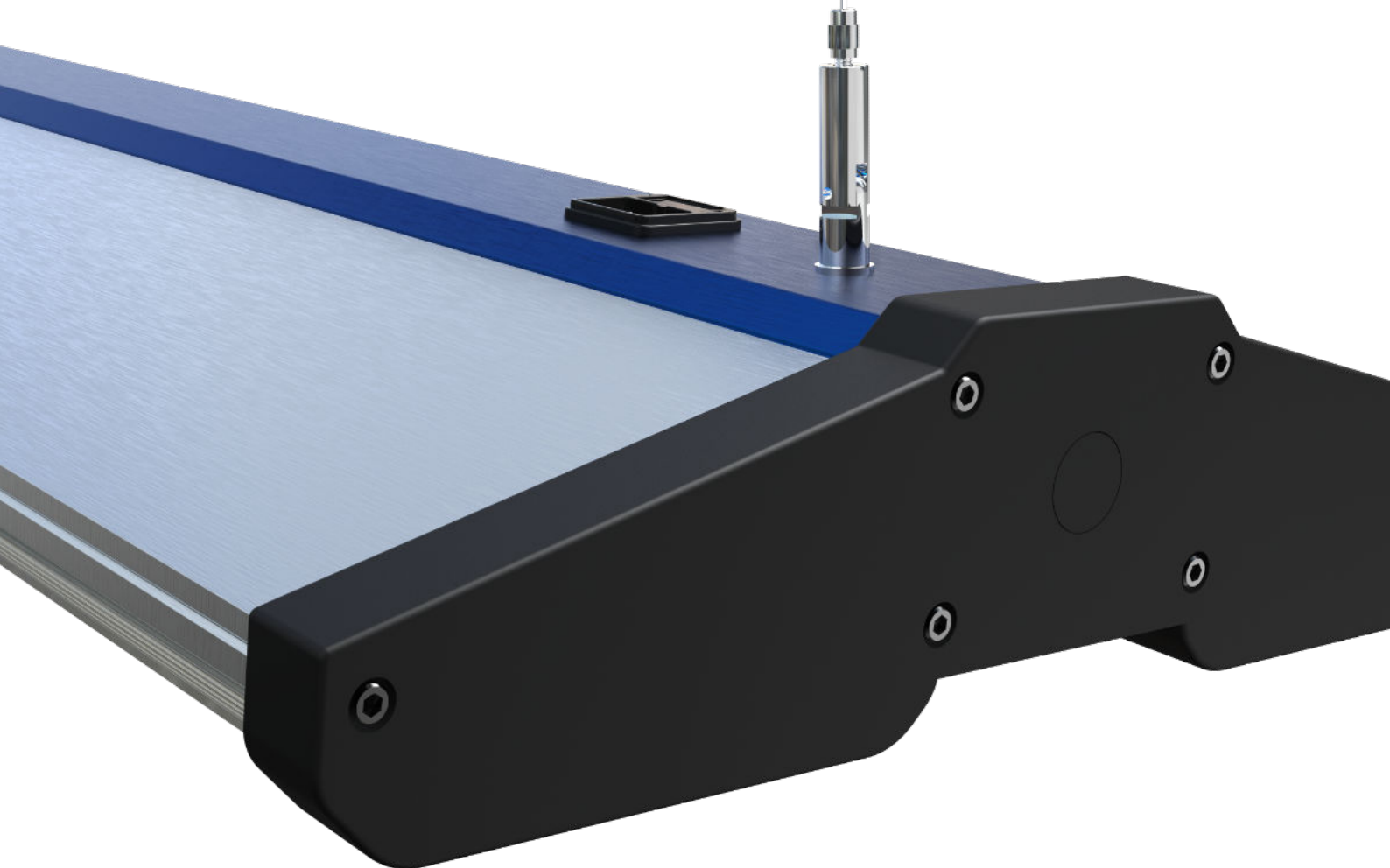
Ra95 for colour critical areas

Increase to Ra95 at no extra cost for task critical areas such as print shops, high end retail or art galleries. Both options are available across all standard colour temperatures including 4,000k, 5,000k, 6,000k.



Resilient and practical

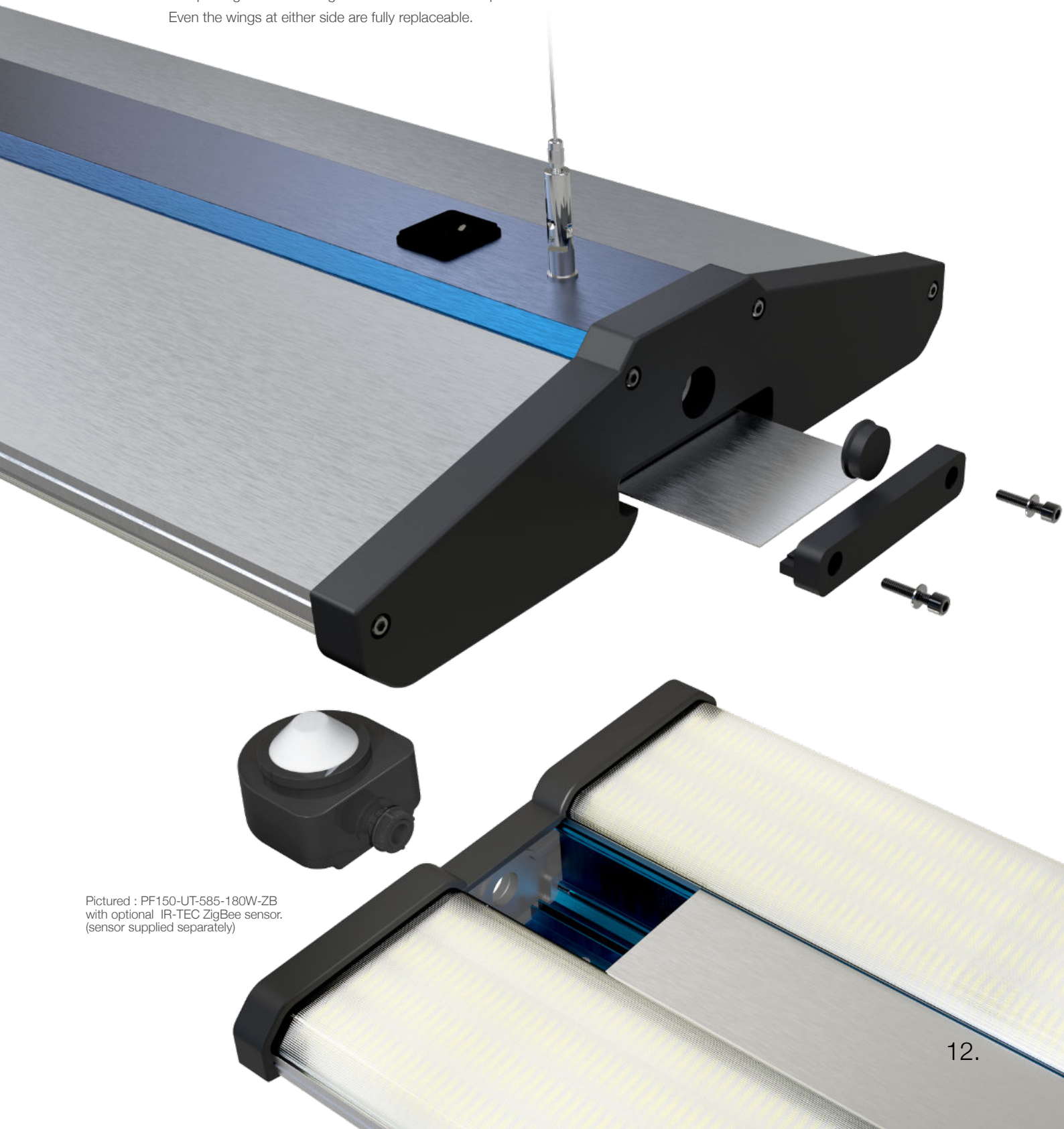
Fabricated from with a robust aluminium patented 'Aircore' chassis, with foodsafe and impact resistant polycarbonate lenses. With rubberised end caps that protect against unplanned impact. Dual stainless steel wire stays, that are easy adjust and level on installation, while meeting seismic requirements out of the box.



Simple to connect, upgrade and maintain

Standard models feature a C14 connector for fast and simple power connection or on request can include IP rated connections, fly lead for power with DALI connectivity.

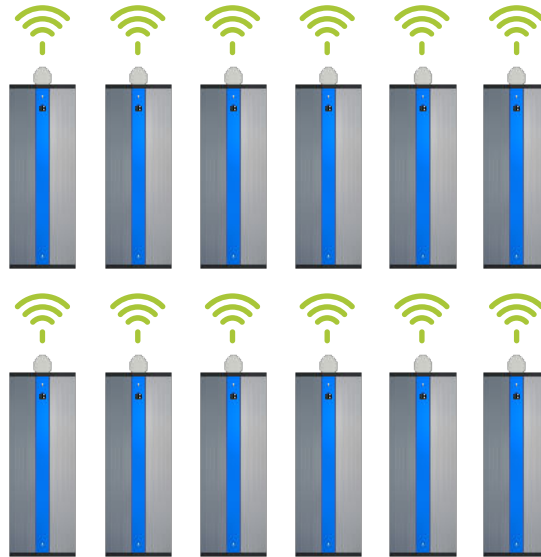
Two screws retain an oblong cap at either end with a sliding cover that provides direct access to the driver and LED connections. Adding sensors or replacing drivers for long term maintenance is simple with basic tools. Even the wings at either side are fully replaceable.



Pictured : PF150-UT-585-180W-ZB
with optional IR-TEC ZigBee sensor.
(sensor supplied separately)



INFRA RED UPLINK



Reliable mesh network without internet connection

The optional OS-NET ZigBee control system delivers unparalleled control of luminaire without the need for complex programming or data management. Simply program via a point and push infra-red remote.

Select individual lights or program entire groups instantly. Update or change groups at any time, add multiple luminaire to groups or single luminaire to multiple groups.

“Easy Group” settings provide instant access to the most common control needs, but scratch deeper and the system provides intelligent programming that includes, follow me, daylight harvesting, occupancy, vacancy and automatically adjusts to daylight savings.

No ongoing fees, no wireless updates, no complex programming or mapping required. Simple stand alone efficient lighting controls to maximise your energy savings.



OS-NET

Wireless wall switches provide practical over-ride.

Your facility may only require low lux levels for most of the day with casual traffic, and none when empty. Occasionally however you need maximum power for a short burst of activity.

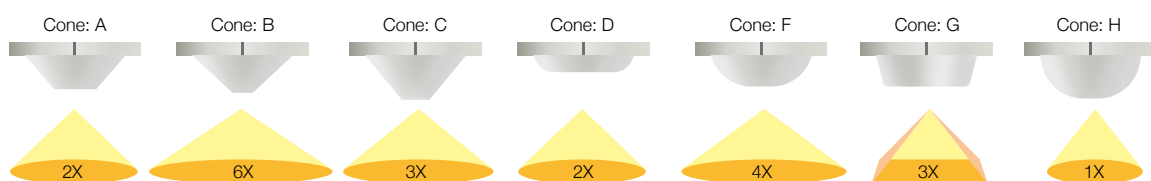
The OS-NET wireless wall switch provides a simple over-ride command to raise lux levels to max before dimming to off when the area is vacated after a set time.

Easy to install to any mains supply, no direct connection to the luminaire circuit required or batteries to forget. It provides an invaluable link between the luminaire you choose to control, and the operator on the ground.

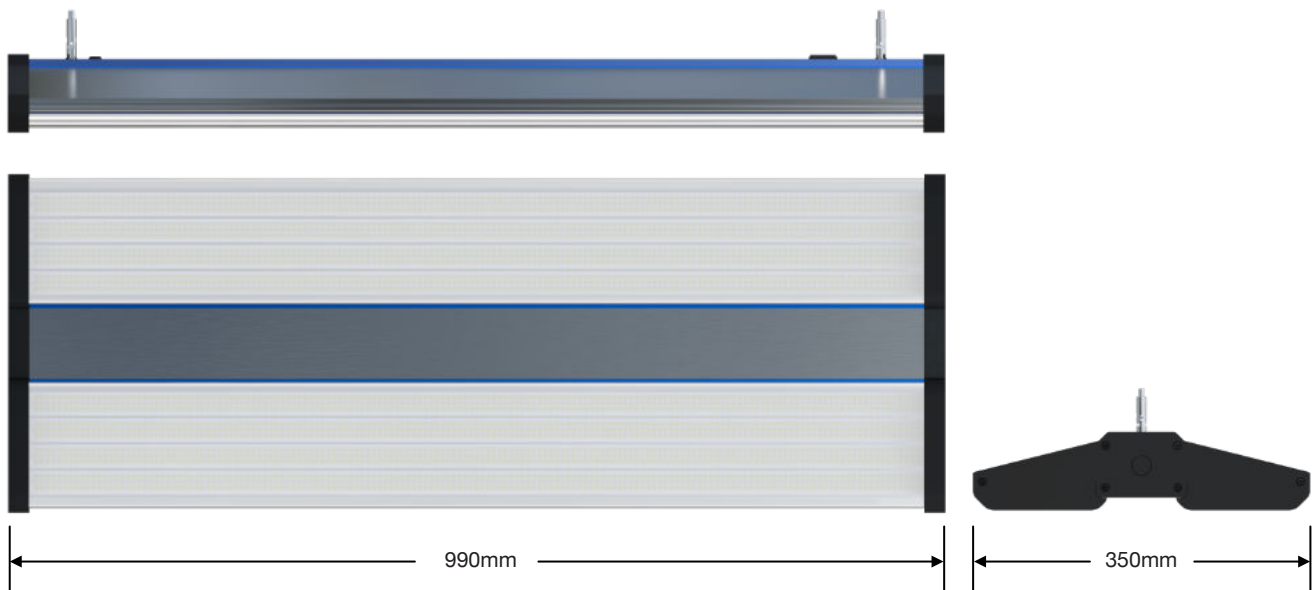
All programmed from the simple infra-red hand held remote control, light or switch group and ungroup, simple easy and intuitive.

Multiple lenses and dual sensor control optimize detection.

Behind the lens dual doppler and IR sensors eliminate false detections, whilst a range of hot swappable lenses fine tune the parameters and sensitivity to suit wide or narrow areas and aisles with blanking plates to prevent detection in areas where walkways are close to the wall.



PF Series Specifications



PRODUCT	PERFORMANCE			AMBIENT		DRIVER	INRUSH	MAX PSU	WARRANTY
Model Number	Output	Power	Efficiency	Min	Max	Function	Amps	Type C Breaker	24/7 @ max (Ta)
PF 150W									
PF150-UT-XXX-150W-ND	19,800lm	150W	132lm/W	0°C	50°C	Non Dim	65A	7 @ 230 Vac	5 YRS
PF150-UT-XXX-150W-DM	19,800lm	150W	132lm/W	0°C	50°C	0-10V	65A	7 @ 230 Vac	5 YRS
PF150-UT-XXX-150W-ZB	19,800lm	150W	132lm/W	0°C	50°C	0-10V	65A	7 @ 230 Vac	5 YRS
PF150-UT-XXX-150W-DA	19,800lm	150W	132lm/W	0°C	50°C	DALI	60A	6 @ 230 Vac	5 YRS
PF150-HE-XXX-150W-ND	21,750lm	150W	145lm/W	0°C	50°C	Non Dim	65A	7 @ 230 Vac	5 YRS
PF150-HE-XXX-150W-DM	21,750lm	150W	145lm/W	0°C	50°C	0-10V	65A	7 @ 230 Vac	5 YRS
PF150-HE-XXX-150W-ZB	21,750lm	150W	145lm/W	0°C	50°C	0-10V	65A	7 @ 230 Vac	5 YRS
PF150-HE-XXX-150W-DA	21,750lm	150W	145lm/W	0°C	50°C	DALI	60A	6 @ 230 Vac	5 YRS
PF 180W									
PF180-UT-XXX-180W-ND	23,760lm	180W	132lm/W	0°C	50°C	Non Dim	65A	7 @ 230 Vac	5 YRS
PF180-UT-XXX-180W-DM	23,760lm	180W	132lm/W	0°C	50°C	0-10V	65A	7 @ 230 Vac	5 YRS
PF180-UT-XXX-180W-ZB	23,760lm	180W	132lm/W	0°C	50°C	0-10V	65A	7 @ 230 Vac	5 YRS
PF180-UT-XXX-180W-DA	23,760lm	180W	132lm/W	0°C	50°C	DALI	60A	6 @ 230 Vac	5 YRS
PF180-HE-XXX-180W-ND	26,100lm	180W	145lm/W	0°C	50°C	Non Dim	65A	7 @ 230 Vac	5 YRS
PF180-HE-XXX-180W-DM	26,100lm	180W	145lm/W	0°C	50°C	0-10V	65A	7 @ 230 Vac	5 YRS
PF180-HE-XXX-180W-ZB	26,100lm	180W	145lm/W	0°C	50°C	0-10V	65A	7 @ 230 Vac	5 YRS
PF180-HE-XXX-180W-DA	26,100lm	180W	145lm/W	0°C	50°C	DALI	60A	6 @ 230 Vac	5 YRS

(X) Correlated Colour Temperature options include: 4000°K **(4)** | 5000°K **(5)** | 6000°K **(6)**

(YY) Ra (CRI) Options include Ra85 **(85)**, Ra95. **(95)** Example: 5,000k Ra85, XXX = 585

ND Non dimming (Vo to reduce output) | **DM** 1-10V Dimming | **ZB** 1-10V Dimming (Excludes sensor)* | **DA** DALI



Contact: Chris Wheatley

Mobile: + 64 21 343 456

Telephone: + 64 9 446 0822

E.mail: chris.wheatley@isollux.com

Regional Authorised Global Partners can be found in the following locations

Sydney – Australia | Fresno – USA | Hong Kong – China | Jaingxi – China